



# USER MANUAL FOR SOLI

---

**USER MANUAL FOR SOLI**

<b>1. Foreword</b>	<b>3</b>
<b>2. Introduction</b>	<b>3</b>
<b>3. Warning And Definition Stickers On The Case</b>	<b>4</b>
<b>4. Norms And Certificates</b>	<b>5</b>
<b>5. Installation And Environmental Situations</b>	<b>5</b>
<b>6. Care And Cleaning</b>	<b>6</b>
<b>7. Electricity Connection</b>	<b>7</b>
<b>8. Recycle Parts</b>	<b>7</b>
<b>9. Loading Goods</b>	<b>8</b>
<b>10. Technical Details</b>	<b>9</b>

## 1. Foreword

Dear Customer,

Please be sure to read this operating manual carefully before putting your new device into use. The manual contains important notes on safety and proper installation, use and maintenance of the device.

Please keep the manual ready for reference and hand it over to any future new owner of the device. Make sure the manual is read by all staff who may use or work with the cabinets and that they understand and observe the contents.

To ensure safe operation in all service conditions, the following safety precautions must be observed:

- Contact your Service Organization if you are in any doubt about electrical connection, working or safety of your refrigerated cabinets.
- Never detach any cover except where specifically instructed in this manual. Doing so might expose live electrical parts.
- Never use a water hose or high-pressure jet to clean the device.
- All work on electrical equipment must be left to a qualified electrician.
- Please pay attention to the maximum load limits when filling the display shelves.
- Electrical elements may only be replaced by a qualified electrician or person with experience in electrical engineering!
- Wear safety gloves when cleaning and servicing the device.

Ahmet Yar cabinets does not contain PCB, PCT, asbestos, formaldehyde, cadmium or substances which interfere with moistening.

Producer company does not have any responsibilities about the situations below:

Wrong usage of the refrigerator, Wrong assembling, Electrical Effects, Not doing the periodical cares, Changes of operation, Not using the original spare parts, Ignoring the given infos.

(Some of the explanations and applications may vary depending on the device type and model.)

## 2. Introduction

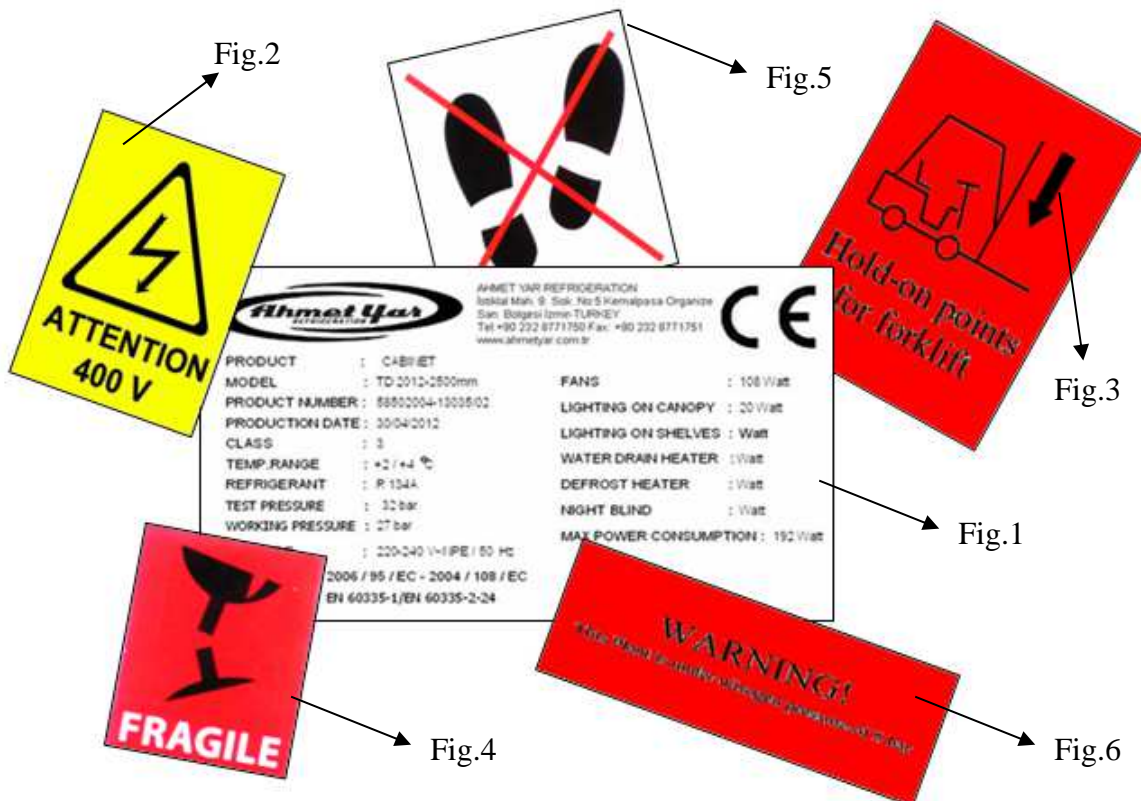
This guide is prepared for the SOLI cabinet. The details below are examined in general; How the refrigerator will be used, technical details, installation and assembling infos and suggestions for the users-care operations.

SOLI is a semi-vertical, open-front, multi-shelfed cooler refrigerator. Its condenser unit is designed as remote. With its wide display area and loading capacity, it is suitable for usage of stores and larger stores.

Cheese in the cabinet. The cabinet has a defrost-type off-cycle. Run cases modules are 1875 mm, 2500 mm and 3750 mm

### 3. Warning and definition stickers on the case

- Product Definition Sticker (Fig.1): Product definition sticker is located inside the cabinet on the ceiling and it can includes all technical properties as below: Logo and address info of the producer company, product certificates and quality certificates of the producer, model of the product, article no, serial number of the product, production date of the product, air conditioner class of the product, temperature range of the cabinet, type of refrigerant, test pressure, working pressure, working voltage info, approved certificates of the product and the standards&directives, fans supply voltage info, power of evaporator fans, power of led lights, power of drain heaters, power of defrost heaters, power of glass heaters, load max.. etc.
- High Voltage Sticker (Fig.2): High voltage sticker is located on the electricity box.
- Loading Sticker (Fig.3): There are palettes located on the refrigerator for transportation. Transportations with forklifts or transpalettes are materialized by the assistance of these palettes. There is a sticker behind the refrigerator about the transportation palettes.
- Fragile Sticker (Fig.4): There ara on the risk of fracture surfaces.Carefully moving is important and do not hit to hard materials. There are fra-gile stickers on the side walls.
- Foot Print Sticker (Fig.5): This sticker located on the base trays.
- Pressure Sticker (Fig.6): Pressure sticker is located at the exit points of the copper pipes. It is used for determining the quantity of nitrogen.



#### 4. Norms and Certificates

The approved certificates of norms and refrigerators that are using as reference; EN 60204-1; EN 60439-1; EN 60439-2

ENVIRONMENTAL CLIMATIC ATMOSPHERE (EN 441-4)

This refrigerator is tested as to atmosphere heat class 3.

Class	Dry Air Temperature	Relative Humidity	Dew Point
1	16°C	%80	12°C
2	22°C	%65	15°C
3	25°C	%60	17°C
4	30°C	%55	20°C
5	40°C	%40	24°C
6	27°C	%70	21°C

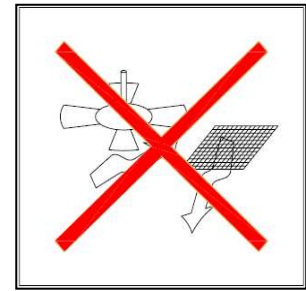
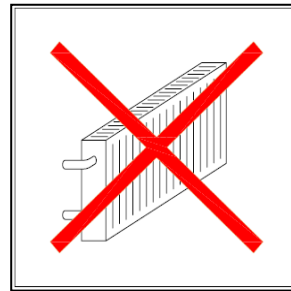
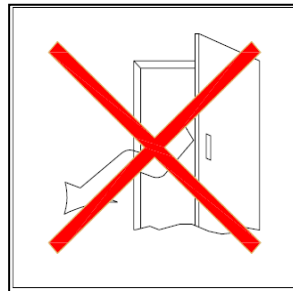
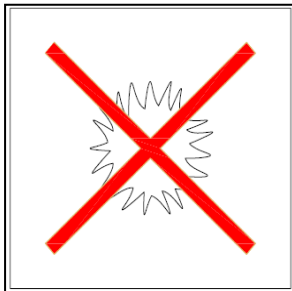
The directives that the refrigerator suits EEC 73/23 , EEC 98/37

#### 5. Installation and Environmental Situations

Follow the instructions below for installation.

The situations that must be paid attention to placing the cabinets. Do not leave or assemble the refrigerator at the positions below ;

- Do not place the cabinet under direct sunlight
- Do not place the cabinet in front of a door
- Do not place the cabinet near a heat sources
- Do not place the cabinet in front of direct air flow from an air condition or a vantilator.
- Do not place the cabinet outdoors



## 6. Care and Cleaning

Long life and satisfactory performance of any equipment is dependent upon the care it receives. To ensure long life, proper sanitation and minimum maintenance costs, these display Cases should thoroughly cleaned, all debris removed and the interiors washed down, weekly.



### Fan Plenum

To facilitate cleaning, the fan plenum is hinged and also fastened with screws at each end. After cleaning be sure the plenum is properly lowered into position and that screws are reinstalled or product loss will result due to improper refrigeration.

### Exterior Surfaces

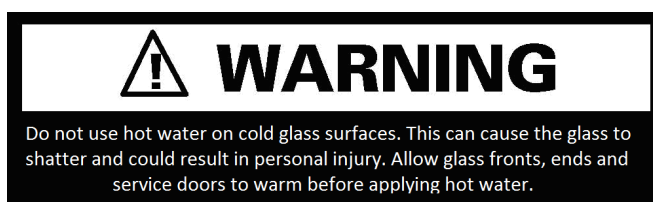
The exterior surfaces should clean with a mild detergent and warm water to protect and maintain their attractive finish. Never use abrasive cleaners or scouring pads.

### Interior Surfaces

The interior surfaces may cleaned with most domestic detergents, ammonia based cleaners and sanitizing solutions with no harm to the surface.

### DO NOT USE:

Abrasive cleansers and scouring pads, as these will mar the finish. Solvent, oil or acidic based cleaners on any interior surfaces.



### DO:

Remove the product and all loose debris to avoid clogging the waste outlet. Store product is in a refrigerated area such as a freezer. Remove only as much product as can be taken to the freezer in a timely manner.

First turn off refrigeration, and then disconnect electrical power.

Thoroughly clean all surfaces with soap and hot water. Do not use steam or high water pressure hoses to wash the interior. This will destroy the display cases sealing causing leaks and poor performance.

Remove screws and lift fan plenum for cleaning. Be sure to reposition the fan plenum after cleaning display cases.

Take care to minimize direct contact between fan motors and cleaning or rinse water. Rinse with hot water, but do not flood. Never introduce water faster than the waste outlet can remove it.

Allow display cases to dry before resuming operation.

After cleaning completed, turn on power and refrigerant to the Display Case. Verify that display case is working properly.

## 7. Electricity Connection

Details below must be examined while making the electrical connections.



- Protective automatic key and main power switch must be used against electric current on the device. Users must know where the key is kept in case of an emergency.
- Electric systems must be grounded.
- Maximum voltage difference must be guaranteed at %±6.
- The thickness of the cable on the energy line must be at least 2,5 mm<sup>2</sup> and must put up with high current.
- The cable of energy line must not be longer than 4-5m, depends on the conditions if cable length increases the cable cross-section must be increased too.
- For making the device works regularly, be sure you obtained the heat and the damp values which are regarded at EN441 and be sure the climate class is 3. (+25°C;R.H. 60%)
- The personnel who will interfere to the device must have electricity certificate.

## 8. Recycle Parts

All countries are disposing of waste according to EU laws and norms. Current Recycle Parts on the case;

Painted Metals: Pillars, shelves, legs, back panel, base tray, ceiling.

Copper-Aluminium: Condanser, evaporator and electrical parts.

Galvanised Steels: Bottom panels, painted panels, basic parts, base tray.

Polyurethane: Thermal injection.

Thermopane: Glass parts.

PVC: Handrails.

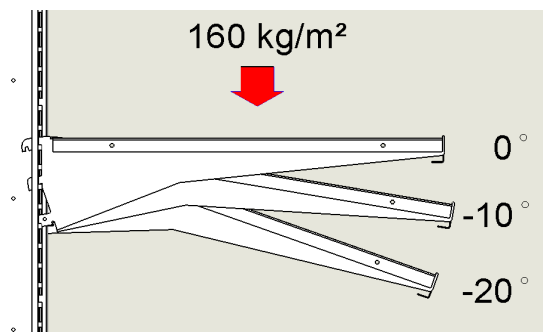
Polystyrene: Thermoform side endwalls.

Polycarbon: Lighting cover.

## 9. Loading Goods

Cabinet loading important rules that should be followed.

- Locate the goods to the shelves tidy.
- The overall load does not exceed the capacity of the shelves (160 kg/ m<sup>2</sup>).
- Shelves can be adjusted at different angles according to the device type (0°, 10°, 20°).
- To install packages in the closet, set max and do not leave blank space.
- Between the top shelf loaded with goods leave the 30mm gap.
- Ensure consumption of the substance and accordingly load.
- Except for the closet shelf and the base tray, do not install any goods.
- Do not obstruct the flow of refrigerated air.





10. Technical Details

	<b>TECHNICAL DATA SHEET - SOLI 1100 Sushi Cabinet</b>
---	---

<b>TECHNICAL DETAILS</b>	<b>1875 mm</b>	<b>2500 mm</b>
--------------------------	----------------	----------------

<b>Refrigeration Load</b>		
Temp Class (prEN ISO 23953-2)	3M0	
Case Temp (°C)	-1/+4	
Evap Temp (°C)	-10	
Duty (kW)	2,04	2,66
Expansion Valve (R744 - 65 bar)	AKVH 10-2	AKVH 10-3
Pipe Size - Suction	3/8"	3/8"
Pipe Size - Liquid	3/8"	3/8"
Expansion Valve (R404)	AKV 10-3	AKV 10-4
Pipe Size - Suction	5/8"	5/8"
Pipe Size - Liquid	3/8"	3/8"
Pipe Size - Drain	28 mm	
Cubic Capacity (dm <sup>3</sup> )		
Display Area (m <sup>2</sup> )		

<b>Defrost Details</b>		
Defrost Type	Air	Air
Duration (minutes)	45 min x 6	45 min x 6
Termination	Temp	Temp


<b>Heaters</b>				
Evaporator (Coil)	-	-	-	-
Frame (Schott Termofrost)	-	-	-	-
Doors (Schott Termofrost)	-	-	-	-
Front Glass	-	-	-	-
Side Glass	-	-	-	-
End Walls	-	-	-	-
Body	-	-	-	-
Water Drain	-	-	-	-
Air Return	-	-	-	-

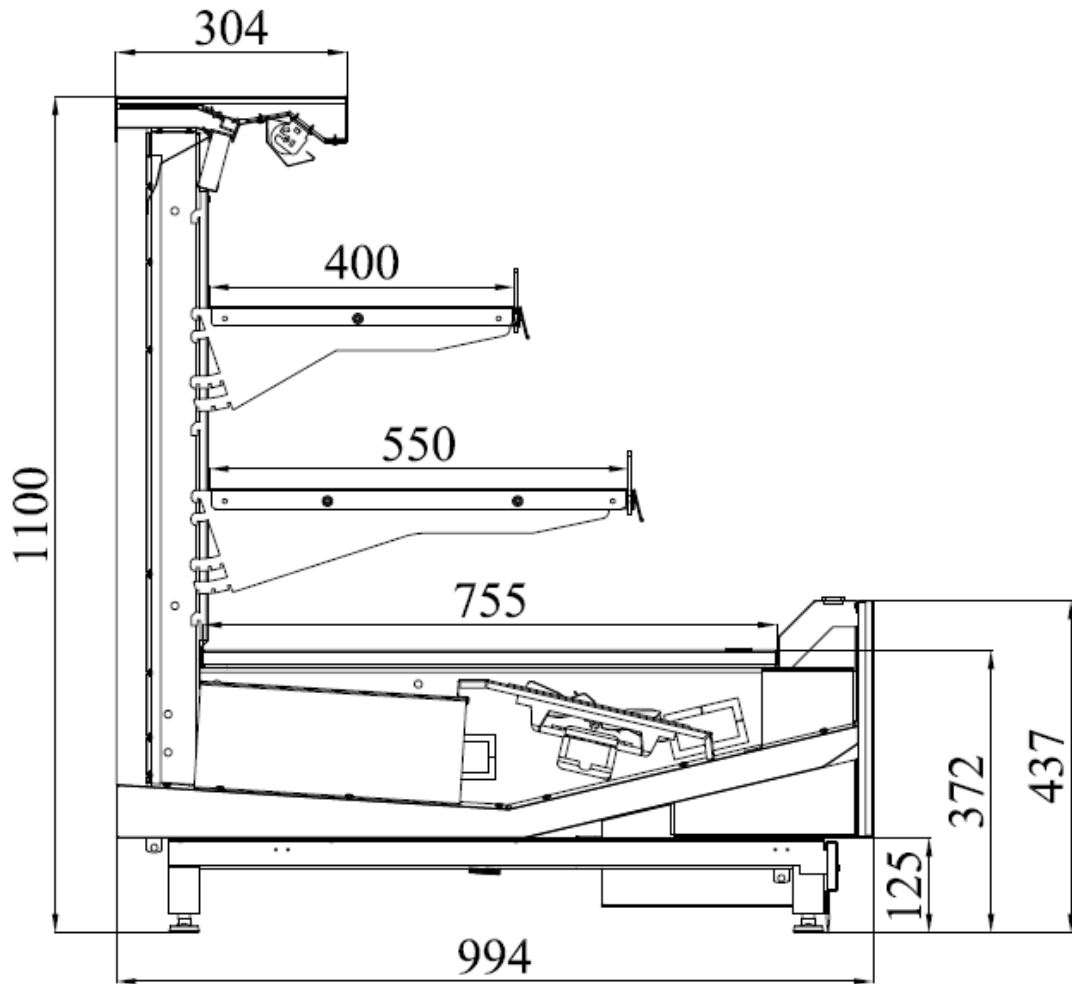
Air Intake	-	-	-	-
------------	---	---	---	---

Electrical / Fans			
Supply	230 V / 50 Hz		
Exp. Valve Coil ( Danfoss 018F6802)	12 W		
Lighting LED Nualight Alto 520 4000K	56 W	84 W	
Evaporator Fans	ELCO ECM HC 12-10-2	800 rpm - 200 mm /A 22°	
		4,5 W x 3	4,5 W x 4

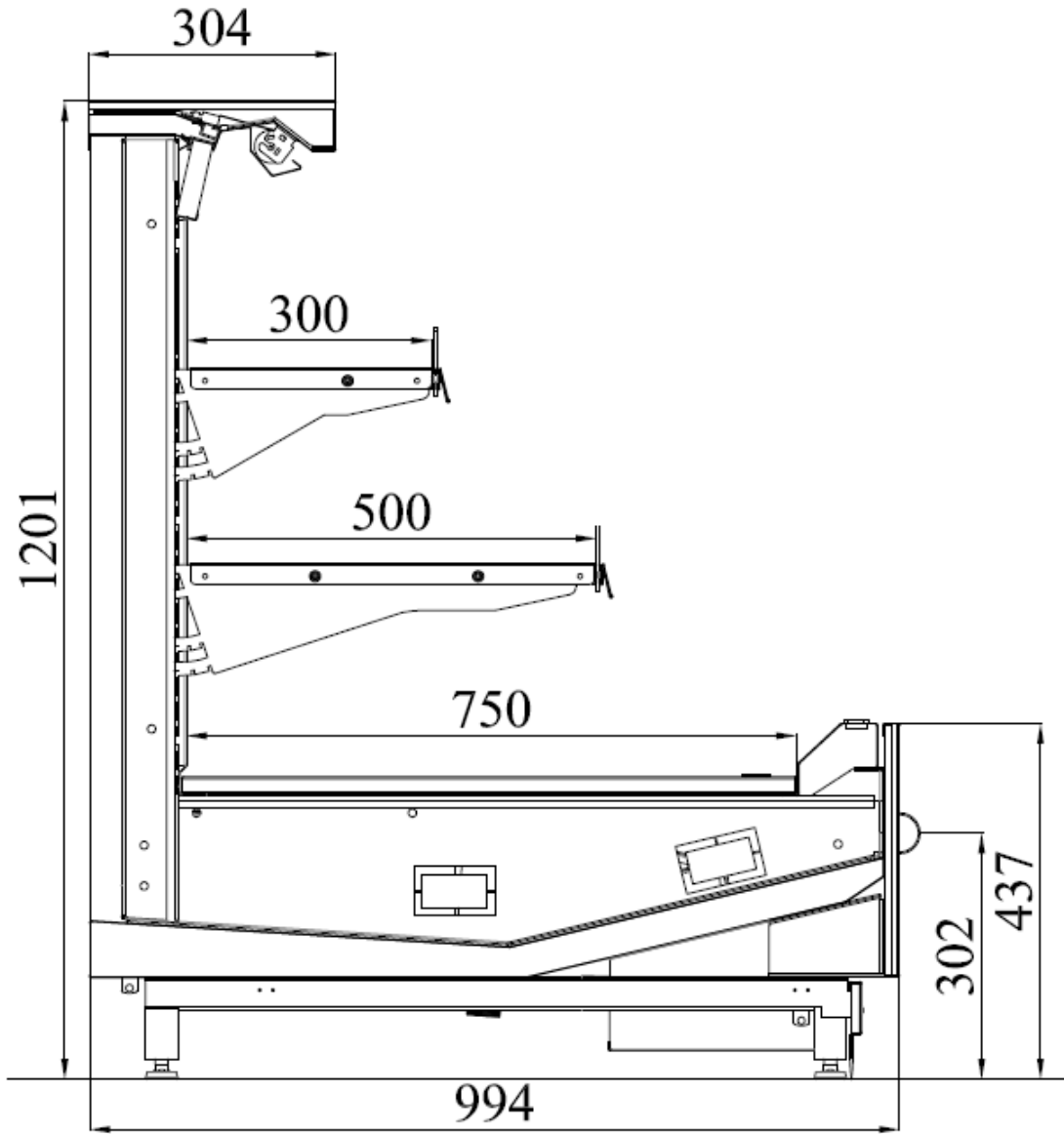
Design Conditions					
Temp (°C)	25	Humidity (%)	60	Cross Draft Air Speed (m/s)	0,2

Air Flow Info	
Air Speed on honeycomb	0.9 m/s at ambient conditions

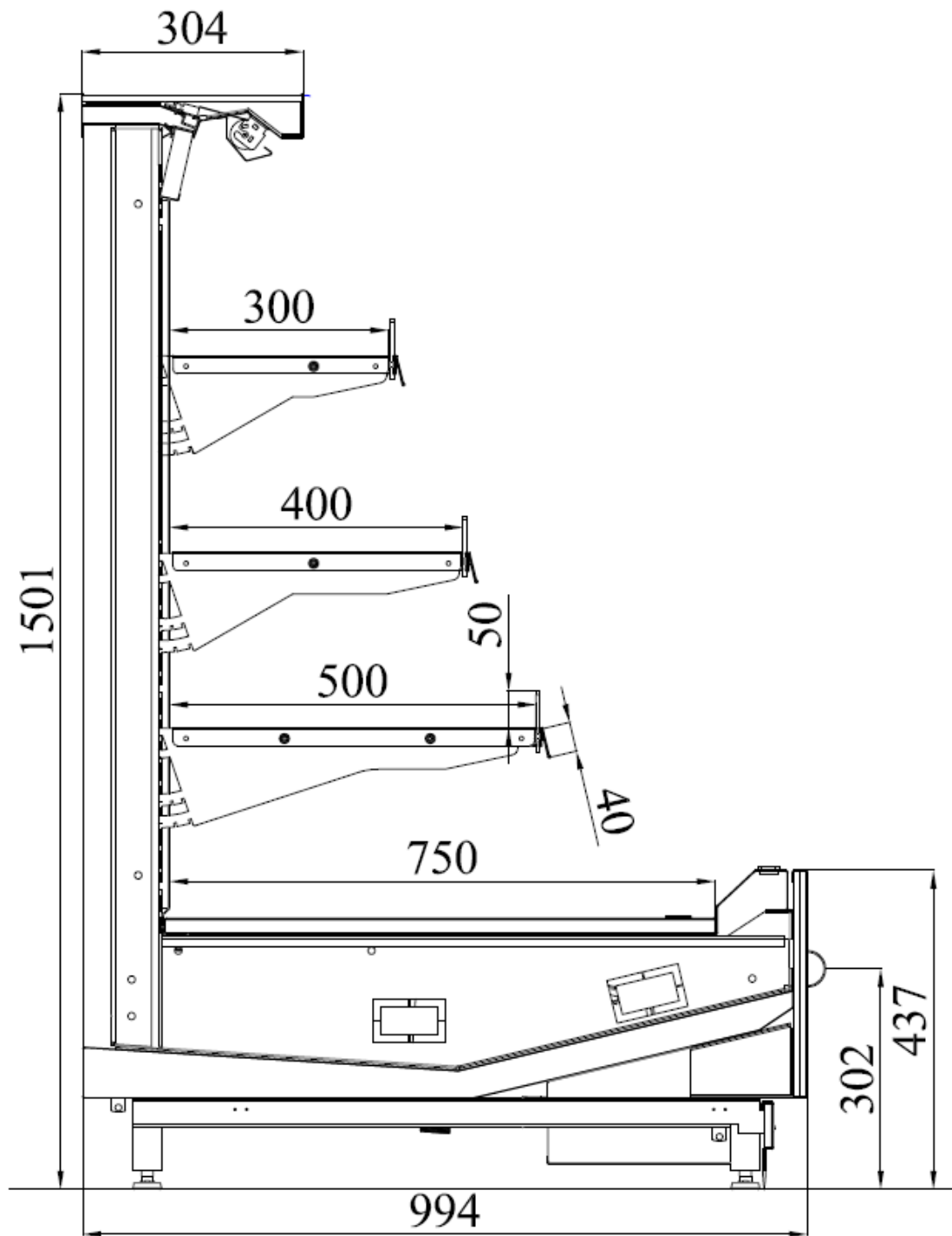
	TECHNICAL DOCUMENTATION	CHAPTER REVISION STATUS					
		ORD.	DATE	CHANGE ORDER	ORD.	DATE	CHANGE ORDER
PRODUCT	Soli 1100	A			D		
DATE of 1st ISSUE	22.12.2014	B			E		
ORDER	ULAS GÜDÜCÜ	C			F		



SOLI 1100



SOLI 1200



SOLI 1500

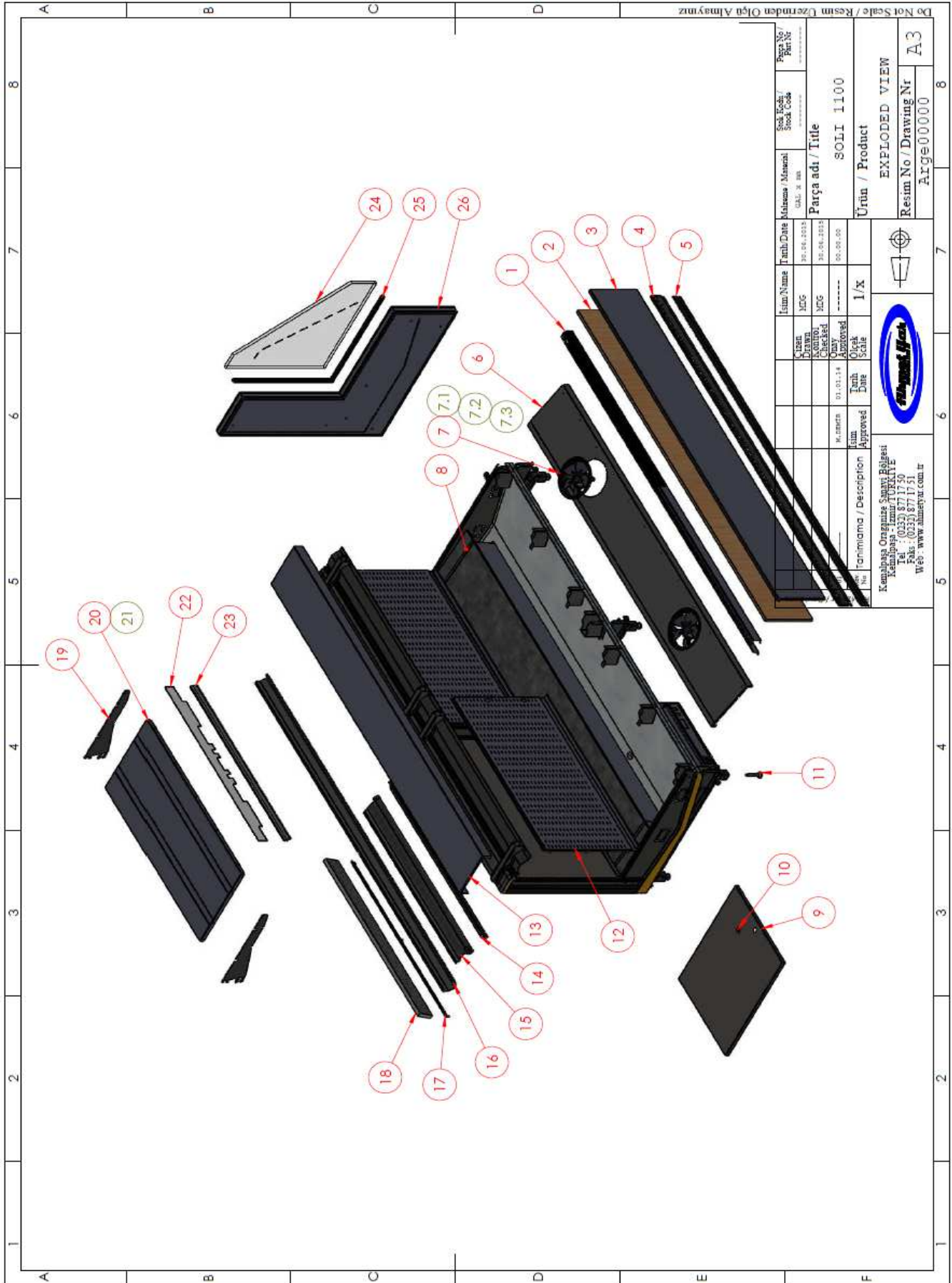
		SOLI SPARE PARTS LIST										
NO	CODE	NAME	SOLI 1100			SOLI 1200			SOLI 1500			UNIT
			1875	2500	3750	1875	2500	3750	1875	2500	3750	
1	49402081	SOLI ON EMIS SACI 1250 MM SAG BOYALI		1	1		1	1		1	1	PCS
	49402082	SOLI ON EMIS SACI 1250 MM SOL BOYALI		1	2		1	2		1	2	PCS
	49401081	SOLI ON EMIS SACI 937 MM SAG BOYALI	1			1			1			PCS
	49401082	SOLI ON EMIS SACI 937 MM SOL BOYALI	1			1			1			PCS
2	49403050	SOLI ON DEKOR MDF'SI 1875 MM	1			1			1			PCS
	49404050	SOLI ON DEKOR MDF'SI 2500 MM		1			1			1		PCS
	49406050	SOLI ON DEKOR MDF'SI 3750 MM			1			1			1	PCS
3	49403002	SOLI ON DEKOR SACI 1875 MM BOYALI	1			1			1			PCS
	49404002	SOLI ON DEKOR SACI 2500 MM BOYALI		1			1			1		PCS
	49406002	SOLI ON DEKOR SACI 3750 MM BOYALI			1			1			1	PCS
4	48103053	MDM03 BAZA SACI 1875 MM BOYALI	1			1			1			PCS
	48104053	MDM03 BAZA SACI 2500 MM BOYALI		1			1			1		PCS
	48106053	MDM03 BAZA SACI 3750 MM BOYALI			1			1			1	PCS
5	10410203	BAZA LASTIGI YENI TIP 2550 mm. - (R07 SIYAH) (60008)		1			1			1		PCS
	10410202	BAZA LASTIGI YENI TIP 3800 mm. - (R07 SIYAH) (60008)	0,5		1	0,5		1	0,5		1	PCS
6	38703003	FM 130 FAN SACI 1875 MM	1			1			1			PCS
	38704003	FM 130 FAN SACI 2500 MM		1			1			1		PCS
	38706003	FM 130 FAN SACI 3750 MM			1			1			1	PCS
7	20830033	ENERGY SAVING FAN ECM HC 12-10 (EFA12100VC0421N) 2	3	4	6	3	4	6	3	4	6	PCS
7.1	20850102	FAN MONTAJ CEMBER TERMOPLASTIK 200	3	4	6	3	4	6	3	4	6	PCS
7.2	20840102	FAN KANAT EMIS 200-22	3	4	6	3	4	6	3	4	6	PCS
7.3	20860016	SPG FAN MUHAFAZA TELI Ø 200 SIYAH	3	4	6	3	4	6	3	4	6	PCS
8	39403051	SOLI EVAPORATOR ORTME SACI 1875 MM	1			1			1			PCS
	39404051	SOLI EVAPORATOR ORTME SACI 2500 MM		1			1			1		PCS
	39406051	SOLI EVAPORATOR ORTME SACI 3750 MM			1			1			1	PCS

9	49401056	SOLI TAVA 755*468 MM BOYALI	4			4			4			PCS
	49402056	SOLI TAVA 755*625 MM BOYALI		4	6		4	6		4	6	PCS
10	23700225	TAVA TAPASI - GRI	4	4	6	4	4	6	4	4	6	PCS
11	24019908	CIVATA AYAK M16*90 (LASTIKLI)	6	6	8	6	6	8	6	6	8	PCS
12	49401015	SOLI 1100 ARKA TEL SAG 937 MM BOYALI	1									PCS
	49401017	SOLI 1100 ARKA TEL SOL 937 MM BOYALI	1									PCS
	49402015	SOLI 1100 ARKA TEL SAG 1250 MM BOYALI		1	1							PCS
	49402016	SOLI 1100 ARKA TEL ORTA 1250 MM BOYALI			1							PCS
	49402017	SOLI 1100 ARKA TEL SOL 1250 MM BOYALI		1	1							PCS
	49601015	SOLI 1200 ARKA TEL SAG 937 MM BOYALI				1						PCS
	49601017	SOLI 1200 ARKA TEL SOL 937 MM BOYALI				1						PCS
	49602015	SOLI 1200 ARKA TEL SAG 1250 MM BOYALI					1	1				PCS
	49602016	SOLI 1200 ARKA TEL ORTA 1250 MM BOYALI						1				PCS
	49602017	SOLI 1200 ARKA TEL SOL 1250 MM BOYALI					1	1				PCS
	49701015	SOLI 1500 ARKA TEL SAG 937 MM BOYALI							1			PCS
	49701017	SOLI 1500 ARKA TEL SOL 937 MM BOYALI							1			PCS
	49702015	SOLI 1500 ARKA TEL SAG 1250 MM BOYALI								1	1	PCS
	49702016	SOLI 1500 ARKA TEL ORTA 1250 MM BOYALI									1	PCS
	49702017	SOLI 1500 ARKA TEL SOL 1250 MM BOYALI								1	1	PCS
13	49403005	SOLI UST KAPAMA SACI 1875 MM BOYALI	1			1			1			PCS
	49404005	SOLI UST KAPAMA SACI 2500 MM BOYALI		1			1			1		PCS
	49406005	SOLI UST KAPAMA SACI 3750 MM BOYALI			1			1			1	PCS
14	49401021	SOLI DEFLEKTOR SACI 937 MM BOYALI	2			2			2			PCS
	49402021	SOLI DEFLEKTOR SACI 1250 MM BOYALI		2	3		2	3		2	3	PCS
15	21070433	SUTLUK PERDE FRENLI - KULPLU (DELIKSIZ)	2			2			2			PCS
	21070434	SUTLUK PERDE FRENLI - KULPLU (DELIKSIZ)		2	3		2	3		2	3	PCS

16	49403025	SOLI 1100 PERDE ORTME SACI 1875 MM BOYALI	1			1			1			PCS
	49404025	SOLI 1100 PERDE ORTME SACI 2500 MM BOYALI		1			1			1		PCS
	49406025	SOLI 1100 PERDE ORTME SACI 3750 MM BOYALI			1			1			1	PCS
17	48701054	FM-130 ARI PETEGI ALT SACI 937MM BOYALI	2			2			2			PCS
	48702054	FM-130 ARI PETEGI ALT SACI 1250MM BOYALI		2	3		2	3		2	3	PCS
18	21030203	ARI PETEGI 1000*95*25 mm GRI - D:3 mm	2			2			2			PCS
	21030205	ARI PETEGI 1250*95*25 mm GRI - D:3 mm		2	3		2	3		2	3	PCS
19	40003096	FM-130 RAF KOLU 300MM BOYALI										PCS
	40003097	FM-130 RAF KOLU 400MM BOYALI										PCS
	40003098	FM-130 RAF KOLU 500MM BOYALI										PCS
20	40001096	FM-130 RAF 300MM 937MM BOYALI										PCS
	40001097	FM-130 RAF 400MM 937MM BOYALI										PCS
	40001098	FM-130 RAF 500MM 937MM BOYALI										PCS
	40002096	FM-130 RAF 300MM 1250MM BOYALI										PCS
	40002097	FM-130 RAF 400MM 1250MM BOYALI										PCS
	40002098	FM-130 RAF 500MM 1250MM BOYALI										PCS
21	22340205	ALTO 500 SILVER 927 mm. 4000 K. (L-BRK+CABLE) 21 W. -	4			4			4			PCS
	22340203	ALTO 520 SILVER 1240 mm. 4000 K. (L-BRK+CABLE) 26W. -		4	6		4	6		4	6	PCS
22	23640802	TD 2012 RAF SIPERLIGI 937 mm.	4			4			4			PCS
	23640170	TD 2012 RAF SIPERLIGI 1250mm.		4	6		4	6		4	6	PCS
23	10410154	RAF ETIKETLIGI (AGEAN-WDM) 937 mm. - R01 BEYAZ (52045)	4			4			4			PCS
	10410152	RAF ETIKETLIGI (WDM-AGEAN) 1250 mm. - R01 BEYAZ (52045)		4	6		4	6		4	6	PCS
24	23620462	SOLI 1100 YAN CAM SECURIT (FOR AHOLD)	2	2	2							PCS
	23620491	SOLI 1200 YAN CAM SECURIT (FOR AHOLD)				2	2	2				PCS
	23610497	SOLI 1500 YAN CAM SECURIT (FOR AHOLD)							2	2	2	PCS



25	49400288	SOLI 1100 CAMLI YAN SAG POLIURETANLI	1	1	1							PCS
	49400289	SOLI 1100 CAMLI YAN SOL POLIURETANLI	1	1	1							PCS
	49600288	SOLI 1200 CAMLI YAN SAG POLIURETANLI				1	1	1				PCS
	49600289	SOLI 1200 CAMLI YAN SOL POLIURETANLI				1	1	1				PCS
	49700288	SOLI 1500 CAMLI YAN SAG POLIURETANLI							1	1	1	PCS
	49700289	SOLI 1500 CAMLI YAN SOL POLIURETANLI							1	1	1	PCS
26	49400005	SOLI 1100 CAMLI YAN CAM KILIF SACI BOYALI	1	1	1							PCS
	49600005	SOLI 1200 CAMLI YAN CAM KILIF SACI BOYALI				1	1	1				PCS
	49700005	SOLI 1500 CAMLI YAN CAM KILIF SACI BOYALI							1	1	1	PCS
27	23610604	MARKET UST CAM DIK RODAJLI KRISTAL (937x170x8 mm.)	2			2			2			PCS
	23610603	MARKET UST CAM DIK RODAJLI KRISTAL (1250x170x8 mm.)		2	3		2	3		2	3	PCS



CAREL PARAMETERS		ISLAND FREEZER	WALL FREEZER	COMBI FREEZER	UPRIGHT FREEZER	COUNTER	MULTIDECK CABINET
<b>/Pro ( Prob parameters)</b>							
<b>/2</b>	Measurement stability		4	4	4	4	4
<b>/4</b>	Virtual Prob: Blowing and suction probes rates for regulation		100	100	100	50	50
	0= Blow probe						
	100= Suction probe						
<b>/5</b>	°C or °F selection		0	0	0	0	0
	0=°C, 1=°F						
<b>/6</b>	Decimal		1	1	1	1	1
	0=active,						
	1= inactive						
<b>rHS</b>	Virtual probe regulation rate to calculate glass temperature		20	20	20	20	20
	0= Blow probe						
	100= Suction probe						
<b>/t</b>	Are signals and alarms viewed in non-button terminal?		0	0	0	0	0
	0= inactive						
	1= active						
<b>/t1</b>	probe to be viewed in button terminal		12	12	12	12	12
	0 = Terminal inactive	8 =Serial probe 8					
	1 = Probe 1	9 =Serial probe 9					
	2 = Probe 2	10 =Serial probe 10					
	3 = Probe 3	11 =Serial probe 11					
	4 = Probe 4	12 = Control probe					
	5 = Probe 5	13 = Virtual probe					
	6 = Probe 6	14 = Set point					
	7 = Probe 7						
<b>/t2</b>	probe to be viewed in non-button terminal		12	12	12	12	12
	0 = Terminal inactive	8 =Serial probe 8					
	1 = Probe 1	9 =Serial probe 9					
	2 = Probe 2	10 =Serial probe 10					
	3 = Probe 3	11 =Serial probe 11					
	4 = Probe 4	12 = Control probe					
	5 = Probe 5	13 = Virtual probe					
	6 = Probe 6	14 = Set point					
	7 = Probe 7						

CAREL PARAMETERS			ISLAND FREEZER	WALL FREEZER	COMBI FREEZER	UPRIGHT FREEZER	COUNTER	MULTIDECK CABINET
/to	button/non-button terminal configuration		3	3	3	3	3	3
	<b>Button terminal</b>	<b>Non-button terminal</b>						
	0 Yes	yes						
	1 optional	yes						
	2 Yes	optional						
3 optional	optional							
/P1	S1 ,S2 , S3 (Group 1) probe type		0	0	0	0	0	0
	0 = NTC Standard Range -50T90°C							
	1 = PTC Standard Range -50T150°C							
	2 = PT1000 Standard Range -50T150°C							
	3 = NTCL243 Standard Range -50T90°C							
/P2	S4 ,S5 (Group2) probe type		0	0	0	0	0	0
	0 = NTC Standard Range -50T90°C							
	1 = PTC Standard Range -50T150°C							
	2 = PT1000 Standard Range -50T150°C							
	3 = NTCL243 Standard Range -50T90°C							
/P3	S6 (Group3) probe type		4	4	4	4	4	4
	0 = NTC Standard Range -50T90°C							
	1 = PTC Standard Range -50T150°C							
	2 = PT1000 Standard Range -50T150°C							
	3 = NTCL243 Standard Range -50T90°C							
4 = 0 to 5V ratiometric pressure transmitter								
/P4	S7, (Group4) probe type		0	0	0	0	0	0
	0 = NTC Standard Range -50T90°C							
	1 = PTC Standard Range -50T150°C							
	2 = PT1000 Standard Range -50T150°C							
	3 = NTCL243 Standard Range -50T90°C							
	4 = 0 to 5V ratiometric pressure transmitter							
	5 = 0 to 10 V input							
6 = 4 to 20 mA input								
/P5	S8 den S11 e (Group5) serial problar probe type		0	0	0	0	0	0



CAREL PARAMETERS		ISLAND FREEZER	WALL FREEZER	COMBI FREEZER	UPRIGHT FREEZER	COUNTER	MULTIDECK CABINET
<b>CtL ( Control)</b>							
<b>OFF</b>	ON/OFF control unit on-off		0	0	0	0	0
	0 = ON; 1 = OFF;						
<b>St</b>	Set point		-20	-20	-20	0	2
<b>St2</b>	Double thermostate control suction set value		50	50	50	50	50
<b>rd</b>	St set value difference		2	2	2	2	2
<b>rd2</b>	Double thermostate control suction set value difference		0	0	0	0	0
	0.0 = Function inactive						
<b>r1</b>	Allowed minimum set value		-24	-24	-24	-4	-4
<b>r2</b>	Allowed maximum set value		-18	-18	-18	4	4
<b>r3</b>	Defrost warning activation ending in time		0	0	0	0	0
	0 = inactive, 1 = active						
<b>r4</b>	Automatic night set point		0	0	0	0	0
<b>r5</b>	Will minimum and maximum temperatures be kept to which probe in the memory?		1	1	1	1	1
	0 = Monitoring inactive						
	1 = Control probe (Sreg)						
	2 = virtual probe (Sv)						
	3 = Blow probe (Sm)						
	4 = defrost probe (Sd)						
5 = Suction probe (Sr)							
6 = superheat temperature probe (tGS)							
7 = saturated evaporation temperature probe (tEu)							
8 = auxiliary defrost probe (Sd2)							
9 = auxiliary probe (Saux)							
10 = auxiliary probe 2 (Saux2)							
<b>rt</b>	Recorded min and max temperature monitoring time range		-	-	-	-	-
<b>rH</b>	Recorded max temperature		-	-	-	-	-
<b>rL</b>	Recorded min temperature		-	-	-	-	-
<b>r6</b>	Night Control probe		0	0	0	0	0
	0 = virtual probe Sv; 1 = Suction probe Sr						
<b>ro</b>	For Virtual Probe, probe error offset		0.0	0.0	0.0	0.0	0.0
<b>r7</b>	Master solenoid valve configuration		0	0	0	0	0
	0 = local valve ;1 = network valve (connected to the Master)						
<b>rSu</b>			0	0	0	0	0

CAREL PARAMETERS			ISLAND FREEZER	WALL FREEZER	COMBI FREEZER	UPRIGHT FREEZER	COUNTER	MULTIDECK CABINET
<b>CMP (compressor)</b>								
<b>c0</b>	Compressor and fan starting time delay		0	0	0	0	0	0
<b>c1</b>	Minimum time between successive start		0	0	0	0	0	0
<b>c2</b>	Compressor minimum OFF Time		0	0	0	0	0	0
<b>c3</b>	Compressor minimum ON Time		0	0	0	0	0	0
<b>c4</b>	Control probe error duty time. Compressor and solenoid outlet works for the time stated there		0	0	0	0	0	0
	holds for 15 minutes and works again.							
	0 = Compressor/valve always OFF; 100 = compressor/valve always ON							
<b>cc</b>	Continuous cycle time		1	1	1	1	1	1
<b>c6</b>	Post-continuous cycle alarm by-pass		60	60	60	60	60	60
<b>c7</b>	Maximum pump down time		0	0	0	0	0	0
<b>Def (defrost)</b>								
<b>d0</b>	Defrost type		4	0	0	0	0	0
	0 = temperature-based heater	4 = time and temperature-based heater defrost						
	1 = temperature-based hot gas	5 = temperature-based heater multiplied hotgas bypass						
	2 = temperature-based heater	6 = time-based heater multiplied hotgas bypass						
	3 = time-based hot gas							
<b>d2</b>	Defrost-end synchronization by Master		1	1	1	1	1	1
	0 = unsynchronous; 1 = synchronous							
<b>d1</b>	Time between defrosts		8	8	6	6	6	6
<b>dt1</b>	Defrost-end temperature, Evaporator Sd1		10	10	12	12	10	10
<b>dt2</b>	Defrost-end temperature, AUX Evaporator Sd2		10	10	12	12	10	10
<b>dP1</b>	Maximum Defrost time		35	35	40	45	45	45
<b>dP2</b>	Maximum Defrost time, AUX 2. Evaporator		35	35	40	45	45	45
<b>d4</b>	Initially defrost		0	0	0	0	0	0
	0 = No initial defrost ; 1 = inital defrost							
	(Master = network defrost; Slave = local defrost)							
<b>d5</b>	Defrost time delay at the beginning if d4=1		0	0	0	0	0	0
	0 = delay inactive							
<b>d6</b>	Terminal indicator status during defrost		2	2	2	2	2	2
	0 = Real temperature value and "dEF" flashes							
	1 = pre-defrost last temperature remains on the screen							
	2 = 'dEF' is viewed							
<b>dd</b>	Post-Defrost drip time		2	2	2	2	2	2
	0= No drip							

CAREL PARAMETERS		ISLAND FREEZER	WALL FREEZER	COMBI FREEZER	UPRIGHT FREEZER	COUNTER	MULTIDECK CABINET	
d7	defrost by-pass	0	0	0	0	0	0	
	0 = inactive ; 1 = active;							
d8	Alarm delay following defrost and door opening	30	30	30	30	30	30	
d9	Status of compressor protection times in hotgas bypass	1	1	1	1	1	1	
	0 = protection times are followed ; 1 = protection times are ignored							
Sd1	Defrost Probe value	-	-	-	-	-	-	
Sd2	Second Evaporator defrost probe value	-	-	-	-	-	-	
dC	Defrost time basis	0	0	0	0	0	0	
	0 = dl hour,dP1,dP2 and ddP minute; 1 = dl minute,Dp2 and ddP second							
d10	Time for defrost based on lamel temperature	0	0	0	0	0	0	
	0 = Function inactive							
d11	Temperature-based defrost activation temperature threshold	-30	-30	-30	-30	-30	-30	
d12	During Defrost, pressure transmitter alarm status	0	0	0	0	0	0	
	<b>probe failure</b>							<b>failure in supervisor</b>
	0 inactive							active
	1 active							active
	2 inactive							inactive
3 active	inactive							
dS1	Compressor stop time for successive defrost ( when stops for this time, defrost ends,	0	0	0	0	0	0	
	0 = Function inactive							
dS2	Compressor operation time for successive defrost (defrost starts when the	120	120	120	120	120	120	
ddt	Defrost end temperature offset for Power defrost	0.0	0.0	0.0	0.0	0.0	0.0	
ddp	Defrost time offset for Power defrost	0	0	0	0	0	0	
dn	Nominal Defrost bypass time rate	75	75	75	75	75	75	
d1S	daily defrost based on td1 time zone	0	0	0	0	0	0	
	0 = inactive							8 = 3 hours 0 minute
	1 = 24 hours 0 minute							9 = 2 hours 40 minutes
	2 = 12 hours 0 minute							10 = 2 hours 24 minutes
	3 = 8 hours 0 minute							11 = 2 hours 11 minutes
	4 = 6 hours 0 minute							12 = 2 hours 0 minute
	5 = 4 hours 48 minutes							13 = 1 hour 0 minute
	6 = 4 hours 0 minute							14 = 30 minutes
7 = 3 hours 26 minutes								



CAREL PARAMETERS		ISLAND FREEZER	WALL FREEZER	COMBI FREEZER	UPRIGHT FREEZER	COUNTER	MULTIDECK CABINET
<b>d2S</b>	see d1S parameter for td1 time zone daily defrosts	0	0	0	0	0	0
<b>dH1</b>	Pumpdown time	0	0	0	0	0	0
	0= pump down inactive						
<b>dHG</b>	Multiplied hot gas bypass type	0	0	0	0	0	0
	0 = Compensator valve is OFF usually						
	1 = Compensator valve is ON usually						
<b>ALM (Alarm)</b>							
<b>AA</b>	Determination of temperature probe for AH and AL alarms		1	1	1	1	1
	1 = control (sreg)	8 = auxiliary defrost probe (Sd2)					
	2 = virtual (Sv)	9 = auxiliary probe (Saux)					
	3 = blow (Sm)	10 = auxiliary probe 2 (Saux2)					
	4 = defrost (Sd)	11 = ortam sıcaklığı (SA)					
	5 = suction (Sr)	12 = ortam nemi (SU)					
	6 = superheat temperature probe(tGS)	13 = cam sıcaklığı (Syt)					
	7 =SH pressure transmitter temperature equivalence (tEu)	14 = çığırma noktası (SdP)					
<b>AA2</b>	Determination of temperature probe for AH2 and AL2 alarms control AA parameter		5	5	5	5	5
<b>A0</b>	Low and high temperature alarm difference		2.0	2.0	2.0	2.0	2.0
<b>A1</b>	Threshold type for AL and AH 1. Alarm delays		0	0	0	0	0
	0 = relative AL and AH set value 1 = absolute AL and AH absolute values						
<b>A2</b>	Threshold type for AL2 and AH2 2. Alarm delays		0	0	0	0	0
	0 = relative AL and AH set value 1 = absolute AL and AH finite values						
<b>AL</b>	Low temperature 1. alarm threshold		4	4	4	4	4
<b>AH</b>	High temperature 1. alarm threshold		5	5	5	5	5
<b>AL2</b>	Low temperature 2. alarm threshold		0	0	0	0	0
<b>AH2</b>	High Temperature 2. alarm threshold		0	0	0	0	0
<b>Ad</b>	Low and high temperature alarm alarm delay		15	15	15	15	15
<b>A4</b>	ID1 digital input configuration in S4 input		0	0	0	0	0
	0 = input is not active	5 = kapı switchi konfigürasyonu kompresör ve fanlar OFF					
	1 = momentary external alarm	6 = uzaktan ON/OFF					
	2 = delayed external alarm	7 = perde switchi					
	3 = defrost activation	8 = sürekli çevrim başlama / durma					
	4 = defrost starting	9 = ışık sensörü					

CAREL PARAMETERS		ISLAND FREEZER	WALL FREEZER	COMBI FREEZER	UPRIGHT FREEZER	COUNTER	MULTIDECK CABINET
A5	ID2 digital input configuration in S5 input, see the list in A4 parameter	0	0	0	0	0	0
A6	In the event of external alarm, solenoid/compressor working times. Compressor and solenoid work for this time, stop for 15 minutes and work againn.	0	0	0	0	0	0
	0 = Compressor/valve always OFF; 100 = compressor/valve always ON						
A7	Time delay for delayed external alarm	0	0	0	0	0	0
A8	Virtual digital input configuration see the list in A4 parameter	0	0	0	0	0	0
A09	Digital input selection transferred from master to slave		0	0	0	0	0
	0 = supervisor	3 = D13					
	1 = D11	4 = D14					
	2 = D12	5 = D15					
A10	ID3 digital input configuration in S6 input see the list in A4 parameter	0	0	0	0	0	0
A11	Id4 digital input configuration in S7 input, see the list in A4 parameter	0	0	0	0	0	0
A12	Digital input configuration in D15 input, see the list in A4 parameter	0	0	0	0	0	0
Ar	Is alarm signal in slaves shown in master?	1	1	1	1	1	1
	0 = no ; 1 = yes						
A13	When slaves are offline, hotgas bypass procedure	0	0	0	0	0	0
	0 = inactive 1 = active						
<b>Fan (Evaporator fans)</b>							
F0	Evaporator fan management	0	0	0	0	0	0
	0 = always ON						
	1 = Fan activation Sd defrost - Sv virtual (or Sd defrost - Sm blow double thermostat control) 2 =Activation Sd defrost probe						
F1	Fan activation threshold (only F0=1 and 2)	-5.0	-5.0	-5.0	-5.0	-5.0	-5.0
F2	Will fans stop when the compressor stops?	0	0	0	0	0	0
	0 =Fans work 1 = Fans stop						
F3	Status of fans during defrost	0	0	1	1	0	0
	0 = Fans work in Defrost 1 = fans stop						
Fd	Post-defrost drip fan waiting time	2	2	2	2	2	2
Frd	Fan activation difference ( including variable speed fans)	2.0	2.0	2.0	2.0	2.0	2.0
F5	Evaporator fan stop threshold (difference 1C)	50.0	50.0	50.0	50.0	50.0	50.0
F6	Maximum Evaporator fan speed	100	100	100	100	100	100

CAREL PARAMETERS		ISLAND FREEZER	WALL FREEZER	COMBI FREEZER	UPRIGHT FREEZER	COUNTER	MULTIDECK CABINET
F7	Minimum Evaporator fan speed	0	0	0	0	0	0
F8	Evaporator fan peak time	0	0	0	0	0	0
	0 = Function inactive						
F9	PWM1/' fan control output selection (by phase-break)	1	1	1	1	1	1
	0 = pulse 1 = time-dependant						
F10	Time of working of evaporator fans at maximum speed	0	0	0	0	0	0
	0 = Function inactive						
<b>Eud (Electronic valve)</b>							
P1	Electronic valve	2	2	2	2	2	2
	0 = not used 1 = PWM valve 2 = CAREL E2V valve						
P3	Superheat Set point	10.0	10.0	10.0	10.0	10.0	10.0
P4	Proportional rate	15.0	15.0	15.0	15.0	15.0	15.0
P5	Integration rate ( Integral factor)	150	150	150	150	150	150
	0 = Function inactive						
P6	Derivative rate	5.0	5.0	5.0	5.0	5.0	5.0
	0 = Function inactive						
P7	LowSH: low superheat threshold	7.0	7.0	7.0	7.0	7.0	7.0
P8	LowSH: low superheat integral time	15.0	15.0	15.0	15.0	15.0	15.0
	0 = Function inactive						
P9	LowSH: düşük superheat alarm gecikmesi	600	600	600	600	600	600
	0 = alarm inactive						
P10	Will solenoid valve be OFF in the event of low superheat or low suction temperature?	0	0	0	0	0	0
	1 = OFF is active						
P11	LSA: low evaporation temperature alarm	-45.0	-45.0	-45.0	-45.0	-45.0	-45.0
P12	LSA: alarm delay	600	600	600	600	600	600
	0 = alarm inactive						
P13	LSA: alarm difference (C)	10.0	10.0	10.0	10.0	10.0	10.0
	0 = reset the alarm all the time automatically						
P14	('blo') alarm signal activation	1	1	1	1	1	1
	1= blo alarm is active						
P15	Complementary temperature acceptance value in the event of Superheat pressure	-30	-30	-30	-12	-12	-12

CAREL PARAMETERS			ISLAND FREEZER	WALL FREEZER	COMBI FREEZER	UPRIGHT FREEZER	COUNTER	MULTIDECK CABINET
PH	Gas type		3	3	3	3	3	3
	1 = R22	8 = R600						
	2 = R134a	9 = R600a						
	3 = R404A	10 = R717						
	4 = R407C	11 = R744						
	5 = R410A	12 = R728						
	6 = R507A	13 = R1270						
	7 = R290	14 = R417A						
OSH	Superheat offset for modulation thermostate		0.0	0.0	0.0	0.0	0.0	0.0
	0 = Function inactive							
Phr	Fast updating of valve parameters by the supervisor		0	0	0	0	0	0
	0 = fast update is inactive							
PM1	MOP: Maximum evaporation pressure temperature value		50.0	50.0	50.0	50.0	50.0	50.0
PM2	MOP: Integral time		10.0	10.0	10.0	10.0	10.0	10.0
PM3	MOP: alarm delay		0	0	0	0	0	0
	0 = Function is inactive							
PM4	MOP: MOP function delay at the beginning		2	2	2	2	2	2
PM5	MOP: activating solenoid valve shutting		0	0	0	0	0	0
	0 = OFF is inactive							
	1 = OFF is active							
PL1	LOP: Minimum evaporation pressure temperature value		-50.0	-50.0	-50.0	-50.0	-50.0	-50.0
PL2	LOP: Integral time		0.0	0.0	0.0	0.0	0.0	0.0
PL3	LOP: alarm delay		0	0	0	0	0	0
	0 = Function is inactive							
SH	Superheat value		-	-	-	-	-	-
PPU	valve ON rate		-	-	-	-	-	-
tGS	Superheat temperature sensor reading value		-	-	-	-	-	-
tEu	Superheat pressure sensor temperature value (value of the pressure equivalent to the temperature)		-	-	-	-	-	-
/cE	Saturated evaporation temperature calibration		0.0	0.0	0.0	0.0	0.0	0.0
Po6	PWM expansion valve T on/OFF period		6	6	6	6	6	6
cP1	Valve position when the control is ON		30	30	30	30	30	30
Pdd	Post-Defrost valve position		10	10	10	10	10	10
PSb	valve standby position		0	0	0	0	0	0
PF	valve opening stages		-	-	-	-	-	-

CAREL PARAMETERS		ISLAND FREEZER	WALL FREEZER	COMBI FREEZER	UPRIGHT FREEZER	COUNTER	MULTIDECK CABINET	
PMP	Electronic expansion valve manual operation activation	0	0	0	0	0	0	
	0 = inactive 1 = active							
PMu	Manual valve position	-	-	-	-	-	-	
Phc	Large capacity valve activation	0	0	0	0	0	0	
<b>Cnf ( Configuration)</b>								
In	MPXPRO Unit type	1	1	1	1	1	1	
	0 = Slave 1 = Master							
Sn	Number of slave in local network	0	0	0	0	0	0	
	0 = No Slave							
H0	Supervisor and Master-Slave network address	199	199	199	199	199	199	
H1	AUX1 output configuration	8	8	8	8	8	8	
	0 = no function							7 = second Evaporator defrost output
	1 = alarm without energy normally							8 = Evaporator Fan output
	2 = energy alarm normally							9 = Glass heater output
	3 = auxiliary output							10 = Suction valve
	4 = auxiliary output shared by Master with slaves							11 = Compensation valve
	5 = Light output							12 = Solenoid valve
6 = auxiliary output shared by Master with slaves								
H2	Button set and remote control deactivation	1	1	1	1	1	1	
	1 = Button set and remote control is active							
H3	Remote control activation code	0	0	0	0	0	0	
	0 =no remote control activation code							
H4	Buzzer activation	0	0	0	0	0	0	
	0 = active; 1 = inactive							
H5	Please see AUX2 output configuration H1 parameter	7	2	2	2	2	2	
H6	Terminal button set locking configuration	0	0	0	0	0	0	
H7	Please see AUX3 output configuration H1 parameter	5	5	5	5	5	5	
H8	Output association with time bands	0	0	0	0	0	0	
	0 = Light 1 = AUX							

CAREL PARAMETERS		ISLAND FREEZER	WALL FREEZER	COMBI FREEZER	UPRIGHT FREEZER	COUNTER	MULTIDECK CABINET
H9	Output association with AUX button	0	0	0	0	0	0
	0 = Light 1 = AUX						
H10	Compressor output configuration	0	0	0	0	0	0
	0 = Cooling 1 = heating						
H11	Fan output configuration	0	0	0	0	0	0
	0 = Cooling 1 = Heating						
H12	Light sensor threshold	25	25	25	25	25	25
H13	Please see AUX4 output configuration H1 parameter	12	12	12	12	12	12
Hdn	default set parameters number	0	0	0	0	0	0
Htc	External time card insertion	0	0	0	0	0	0
	0 = not inserted						
rHu	Manual glass heater activation rate (rHt period)	70	70	70	70	70	70
	0 = Function is inactive						
rHt	Manual glass heater activation period	5	5	5	5	5	5
	0 = Function is inactive						
rHo	Glass heater modulation offset	2.0	2.0	2.0	2.0	2.0	2.0
rHd	Glass heater modulation difference	0.0	0.0	0.0	0.0	0.0	0.0
rHL	PWM output load type for glass heater modulation	0	0	0	0	0	0
	0 = resistant 1 = inductive						
rHA	Factor A for calculated glass temperature	2	2	2	2	2	2
rHb	Factor B for calculated glass temperature	22	22	22	22	22	22
<b>HSt (Alarm log)</b>							
HSO to 9	0 dan 9'a alarmlar (sete basın)	-	-	-	-	-	-
---	0 dan 9'a alarm kodu	-	-	-	-	-	-
h_	0 dan 9'a alarm houri	0	0	0	0	0	0
n_	0 dan 9'a alarm minutesi	0	0	0	0	0	0
---	0 dan 9'a alarm süresi	0	0	0	0	0	0
<b>HcP (HACCP alarms)</b>							
Ht0	HACCP alarm	0	0	0	0	0	0
HAn	HA alarm type number	0	0	0	0	0	0

CAREL PARAMETERS		ISLAND FREEZER	WALL FREEZER	COMBI FREEZER	UPRIGHT FREEZER	COUNTER	MULTIDECK CABINET
<b>HA to HA2</b>	HA type active HACCP alarm number	-	-	-	-	-	-
<b>y_</b>	From 1 to 3 alarm-Year	0	0	0	0	0	0
<b>M_</b>	From 1 to 3 alarm - month	0	0	0	0	0	0
<b>d_</b>	From 1 to 3 alarm - which day of the month	0	0	0	0	0	0
<b>h_</b>	From 1 to 3 alarm - hour	0	0	0	0	0	0
<b>n_</b>	From 1 to 3 alarm - minute	0	0	0	0	0	0
<b>...</b>	From 1 to 3 alarm - Alarm time	0	0	0	0	0	0
<b>HFn</b>	HF alarm type number	0	0	0	0	0	0
<b>HF to HF2</b>	HF type active HACCP alarm number	-	-	-	-	-	-
<b>y_</b>	From 1 to 3 alarm - Year	0	0	0	0	0	0
<b>M_</b>	From 1 to 3 alarm -month	0	0	0	0	0	0
<b>d_</b>	From 1 to 3 alarm - which day of the month	0	0	0	0	0	0
<b>h_</b>	From 1 to 3 alarm - hour	0	0	0	0	0	0
<b>n_</b>	From 1 to 3 alarm - minute	0	0	0	0	0	0
<b>_</b>	From 1 to 3 alarm - Alarm time	0	0	0	0	0	0
<b>Htd</b>	HACCP alarm delay	0	0	0	0	0	0
	0 = alarm viewing deactivated						
<b>rtc (Real Time Clock)</b>							
<b>td1 to 8</b>	Defrost time from 1 to 8 (press Set)	-	-	-	-	-	-
<b>d_</b>	From 1 to 8 defrost day selection	0	0	0	0	0	0
	0 = no defrost						
	1 to 7 = days one by one from Monday to Sunday						
	8 = every day from Monday to Friday						
	9 = everyday from Monday to Saturday						
	10 = only Saturday Sunday						
11 = everyday							
<b>h_</b>	Defrost hour	0	0	0	0	0	0
<b>n_</b>	Defrost minute	0	0	0	0	0	0
<b>P_</b>	Power defrost selection	0	0	0	0	0	0
	0 = Normal defrost; 1 =Power defrost						
<b>tS1 to 8</b>	Time band starting from 1 to 8 (press Set)	-	-	-	-	-	-
<b>d</b>	Time band starting: day	0	0	0	0	0	0
<b>h</b>	Time band starting: hour	0	0	0	0	0	0
<b>n</b>	Time band starting: minute	0	0	0	0	0	0
<b>tE1 to 8</b>	Time band end from 1 to 8 (press Set)	-	-	-	-	-	-





DANFOSS PARAMETERS		ISLAND FREEZER	WALL FREEZER	COMBI FREEZER	UPRIGHT FREEZER	COUNTER	MULTIDECK CABINET
<b>Normal operation</b>							
---	Temperature (setpoint)	-26	-20	-20	-20	0	2
<b>Thermostat</b>							
r01	Differential	2	2	2	2	2	2
r02	Max. limitation of setpoint setting	-22	-18	-18	-18	-4	-4
r03	Min. limitation of setpoint setting	-29	-23	-23	-23	4	4
r04	Adjustment of temperature indication	0	0	0	0	0	0
r05	Temperature unit (°C/°F)	0	0	0	0	0	0
r09	Correction of the signal from S4	0	0	0	0	0	0
r10	Correction of the signal from S3	0	0	0	0	0	0
r12	Manual service, stop regulation, start regulation (-1, 0, 1)	1	1	1	1	1	1
r13	Displacement of reference during night operation	0	0	0	0	0	0
r14	Define thermostat function	1	1	1	1	1	1
	1=ON/OFF						
	2=Modulating						
r15	Definition and weighting, if applicable, of thermostat sensors - S4% (100%=S4, 0%=S3)	100	0	0	0	50	50
r16	Time between melt periods	0	0	0	0	0	0
r17	Duration of melt periods	0	0	0	0	0	0
r21	Temperature setting for thermostat band 2 . As differential use r01	-26	-20	-20	-22	0	0
r59	Correction of the signal from S6	0	0	0	0	0	0
r61	Definition and weighting, if applicable, of thermostat sensors when night cover is on. (100%=S4, 0%=S3)	100	0	0	0	50	50
r62	Heat function	2	2	2	2	2	2
	Neutral zone between refrigeration and heat function						
r63	Time delay at switch between refrigeration and heat function	0	0	0	0	0	0
<b>Alarms</b>							
A03	Delay for temperature alarm	15	15	15	15	20	20
A04	Delay for door alarm	0	0	0	0	0	0
A12	Delay for temperature alarm after defrost	60	60	60	60	60	60
A13	High alarm limit for thermostat 1	-18	-15	-15	-15	4	6
A14	Low alarm limit for thermostat 1	-30	-26	-26	-26	-6	-6
A20	High alarm limit for thermostat 2	-18	-15	-15	-15	4	6
A21	Low alarm limit for thermostat 2	-30	-26	-26	-26	-6	-6
A22	High alarm limit for sensor S6 at thermostat 1	8	8	8	8	8	8
A23	Low alarm limit for sensor S6 at thermostat 1	-30	-30	-30	-30	-30	-30
A24	High alarm limit for sensor S6 at thermostat 2	8	8	8	8	8	8
A25	Low alarm limit for sensor S6 at thermostat 2	-30	-30	-30	-30	-30	-30

DANFOSS PARAMETERS		ISLAND FREEZER	WALL FREEZER	COMBI FREEZER	UPRIGHT FREEZER	COUNTER	MULTIDECK CABINET
A26	S6 alarm time delay	240	240	240	240	240	240
	With setting = 240 the S6 alarm will be omitted						
A27	Alarm time delay or signal on the DI1 input	30	30	30	30	30	30
A28	Alarm time delay or signal on the DI2 input	30	30	30	30	30	30
A36	Signal for alarm thermostat. S4% (100%=S4, 0%=S3)	100	0	0	0	50	50
A52	Delay for S6 (product sensor alarm) after defrost	90	90	90	90	90	90
<b>Compressor</b>							
c01	Min. ON-time	0	0	0	0	0	0
c02	Min. OFF-time	0	0	0	0	0	0
c05	Time delay for cutin of comp.2	5	5	5	5	5	5
<b>Defrost</b>							
d01	Defrost method	1	1	1	1	1	1
	0=off						
	1= EL						
	2= gAs						
d02	Defrost stop temperature	10	10	12	12	10	10
d03	Interval between defrost starts	8	8	6	6	6	6
d04	Max. defrost duration	35	35	35	35	45	45
d05	Displacement of time on cutin of defrost at start-up	0	0	0	0	0	0
d06	Drip off time	2	2	2	2	3	3
d07	Delay for fan start after defrost	2	2	2	2	0	0
d08	Fan start temperature	-5	-5	-5	-5	-5	-5
d09	Fan cutin during defrost	1	1	0	0	1	1
	0: Stopped						
	1: Running						
	2: Running during pump down and defrost						
d10	Defrost sensor	3	1	1	1	1	1
	0 =Stop on time						
	1=S5						
	2=S4						
	3=Sx						
(Application 1-8 and 10: both S5 and S6. Application 9: S5 and S5B)							
d16	Pump down delay	0	0	0	0	0	0
d17	Drain delay (used at hot gas defrost only)	0	0	0	0	0	0
d18	Max. aggregate refrigeration time between two defrosts	0	0	0	0	0	0
d20	Heat in drip tray. Time from defrosting stops to heating in the drip tray is switched off	30	30	30	30	30	30



DANFOSS PARAMETERS		ISLAND FREEZER	WALL FREEZER	COMBI FREEZER	UPRIGHT FREEZER	COUNTER	MULTIDECK CABINET	
t45	Clock - Setting of date	REAL TIME	REAL TIME	REAL TIME	REAL TIME	REAL TIME	REAL TIME	
t46	Clock - Setting of month	REAL TIME	REAL TIME	REAL TIME	REAL TIME	REAL TIME	REAL TIME	
t47	Clock - Setting of year	REAL TIME	REAL TIME	REAL TIME	REAL TIME	REAL TIME	REAL TIME	
<b>Miscellaneous</b>								
o01	Delay of output signals after start-up	5	5	5	5	5	5	
o02	Input signal on DI1. Function:	0	0	0	0	0	0	
	0=not used							7=thermostat band changeover (activate r21)
	1=status on DI1							8=alarm function when closed
	2=door function with alarm when open							9=alarm function when open
	3=door alarm when open							10=Appliance cleaning (pulse signal)
	4=defrost start (pulse-signal)							11=forced cooling at hot gas defrost
	5=ext.main switch							12=night cover
6=night operation	15=case shut down							
o03	Network address	0	0	0	0	0	0	
o04	On/Off switch (Service Pin message) IMPORTANT! o61 <b>must</b> be set prior to o04 (used at LON 485 and DANBUSS only)	Off	Off	Off	Off	Off	Off	
o05	Access code 1 (all settings)	0	0	0	0	0	0	
o06	Used sensor type	0	0	0	0	0	0	
	0=Pt1000							
	1=Ptc1000,							
o08	Readout of software version	**	**	**	**	**	**	
o16	Max hold time after coordinated defrost	20	20	20	20	20	20	
o17	Select signal for display view. S4% (100%=S4, 0%=S3)	100	0	0	0	50	50	
o20	Pressure transmitter working range – min. value	-1	-1	-1	-1	-1	-1	
o21	Pressure transmitter working range – max. value	12	12	12	12	12	12	

DANFOSS PARAMETERS			ISLAND FREEZER	WALL FREEZER	COMBI FREEZER	UPRIGHT FREEZER	COUNTER	MULTIDECK CABINET	
o30	Refrigerant setting:		19	19	19	19	19	19	
	1=R12	15=R227							29=R1270
	2=R22	16=R401A							30=R417A
	3=R134a	17=R507							31=R422A
	4=R502	18=R402A							32=R413A
	5=R717	19=R404A							33=R422D
	6=R13	20=R407C							34=R427A
	7=R13b1	21=R407A							35=R438A
	8=R23	22=R407							36=R513A
	9=R500	23=R410A							37=R407F
	10=R503	24=R170							38=R1234ze
	11=R11	25=R290							39=R1234yf
	12=R142b	26=R600							40=R448A
	13=User defined	27=R600a							41=R449A
14=R32	28=R744	42=R452A							
o30	Refrigerant setting:		19	19	19	19	19	19	
o37	Input signal on DI2. Function:		0	0	0	0	0	0	
	(0=not used.	5=ext. main switch							10=Appliance cleaning (pulse signal).
	1=status on DI2.	6=night operation							11=forced cooling at hot gas defrost.).
	2=door function with alarm when open.	7=thermostat band changeover (activate r21).							12=night cover,
	3=door alarm when open.	8=alarm function when closed.							13=coordinated defrost).
4=defrost start (pulse-signal).	9=alarm function when open.	15=case shut down							
o38	Configuration of light function:		1	1	1	1	1	1	
	1=Light follows day /night operation,								
	2=Light control via data communication via 'o39',								
	3=Light control with a DI-input,								
4=As "2", but light switch on and night cover will open if the network cut out for more than 15 minutes.									
o39	Activation of light relay (only if o38=2) On=light		Off	Off	Off	Off	Off	Off	
o41	Rail heat On time during day operations		100	100	100	100	100	100	
o42	Rail heat On time during night operations		100	100	100	100	100	100	
o43	Rail heat period time (On time + Off time)		10	10	10	10	10	10	
o46	Appliance cleaning.		0	0	0	0	0	0	
	0=no Appliance cleaning.								
	1=Fans only.								
	2=All output Off.								
o61	Selection of EL diagram. See overview page 12 and 13		9	1	4	4	1	1	
o62	Download a set of predetermined settings. See overview page 27.		0	0	0	0	0	0	

DANFOSS PARAMETERS			ISLAND FREEZER	WALL FREEZER	COMBI FREEZER	UPRIGHT FREEZER	COUNTER	MULTIDECK CABINET	
o64	Access code 2 (partial access)		0	0	0	0	0	0	
o67	Replace the controllers factory settings with the present settings		Off	Off	Off	Off	Off	Off	
o84	Input signal on DI3. Function: (high voltage input)		0	0	0	0	0	0	
	(0=not used.	6=night operation,							12=night cover.
	1=status on DI2.	7=thermostat band changeover (activate r21)							13=Not used.
	2=door function with alarm when open.	8=Not used.							14=Refrigeration stopped (forced closing)).
	3=door alarm when open	9=Not used.							15=case shut down
	4=defrost start (pulse-signal).	10=Appliance cleaning (pulse signal).							
	5=ext. main switch	11=forced cooling at hot gas defrost,							
o85	Rail heat control		0	0	0	0	0	0	
	0=not used,								
	1=pulse control with timer function (o41 and o42),								
	2=pulse control with dew point function								
o86	Dew point value where the rail heat is minimum		8	8	8	8	8	8	
o87	Dew point value where the rail heat is 100% on		17	17	17	17	17	17	
o88	Lowest permitted rail heat effect in %		30	30	30	30	30	30	
o89	Time delay from "open door" refrigeration is started		30	30	30	30	30	30	
o90	Fan operation at stopped cooling (forced closing): 0= Stopped (defrost allowed)		1	1	1	1	1	1	
	1= Running (defrost allowed)								
	2= Stopped (defrost not allowed)								
	3= Running (defrost not allowed)								
o92	1=defrost stop temperature,		1	1	1	1	1	1	
	2=S6 temperature,								
	3=S5_B temperature (application 9), 4=S3B (application 10)								
o97	Display of temperature		1	1	1	1	1	1	
	1= u56 Air temperature								
	2= u36 product temperature								
o98	Light and night blinds defined		0	0	0	0	0	0	
	0: Light is switch off and night blind is open when the main switch is off								
	1: Light and night blind is independent of main switch								

DANFOSS PARAMETERS		ISLAND FREEZER	WALL FREEZER	COMBI FREEZER	UPRIGHT FREEZER	COUNTER	MULTIDECK CABINET
P41	Configuration of alarm relay	1	1	1	1	1	1
	The alarm relay will be activated upon an alarm signal from the following groups:						
	1 - High temperature alarms						
	2 - Low temperature alarms						
	4 - Sensor error						
	8 - Digital input enabled for alarm 16 - Defrosting alarms						
	32 - Miscellaneous 64 - Injection alarms						
The groups that are to activate the alarm relay must be set by using a numerical value which is the sum of the groups that must be activated. (E.g.: a value of 5 will activate all high temperature alarms and all sensor error and 0 will cancel the relay function).							