

CONTENTS

Preface	2
Introduction	3
Technical data and cross-sectional images	4
Norms and certificates	15
Warnings and Specification Labels	16
Installation and environmental conditions	18
Joining Two Refrigerators	19
Installation of the sides	22
Base Assembly	23
Pan assemblies	24
Lighting	26
Electrical Connections	27
Temperature control	28
Defrost and Drainage	29
Defrost, electrical and copper pipe outlets	30
Cleaning, Maintenance and Technical Service	31
Recycling	33
Spare parts	34
Electrical diagrams	37

1. Preface

This manual has been prepared taking into account Bodrum model refrigerator In general, the following details have been included.

- How to use the refrigerator
- Technical Specifications
- Installation and assembly
- Information and recommendations for users
- Maintenance operations

The manufacturer company does not bear any responsibility in the following cases.

- Misuse of the refrigerator
- Incorrect assembly
- Electrical effects
- In failure of periodic maintenance
- Operational changes
- Use of non-original spare parts
- Non-compliance with the information provided

Note: Electrical appliances can be dangerous for your life

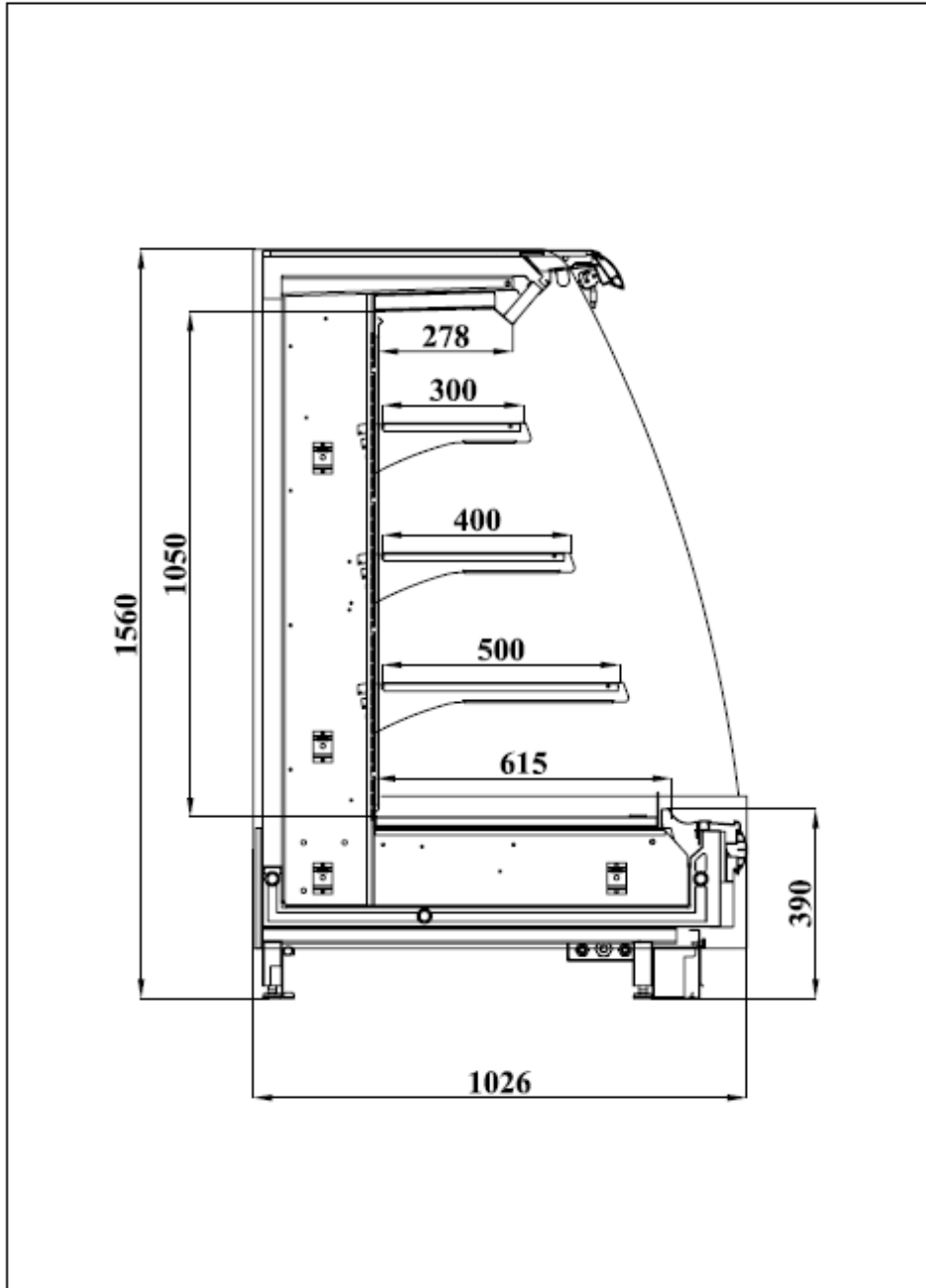
Anyone who uses the refrigerator should read this guide.

2. Introduction

Low shelf cooling display cabinet has been designed to meet the demands of the customers with its island application, high cooling efficiency, low energy consumption, external engine cooling, 3 rows of shelves, equal air distribution between shelves, shelf lighting option, night curtain, ergonomic color design, color options.



3. Technical data and cross-sectional images



Firmamız teknik çizimleri labor vermesizin değıermsi hakkmis saktir.
Any technical features may be modified without notice.

4. Norms and Certificates

Norms used as reference and approved certificates of the refrigerator;
EN 60204-1; EN 61439-1; EN 61439-2

ENVIRONMENTAL CLIMATIC ENVIRONMENT (EN 23953-2)

This refrigerator has been tested according to ambient temperature class 3.

Climatic Environment	Dry Air Temperature	Relative Humidity	Dew Point
1	16°C	80%	12°C
2	22°C	65%	15°C
3	25°C	60%	17°C
4	30°C	55%	20°C
5	40°C	40%	24°C
6	27°C	70%	21°C

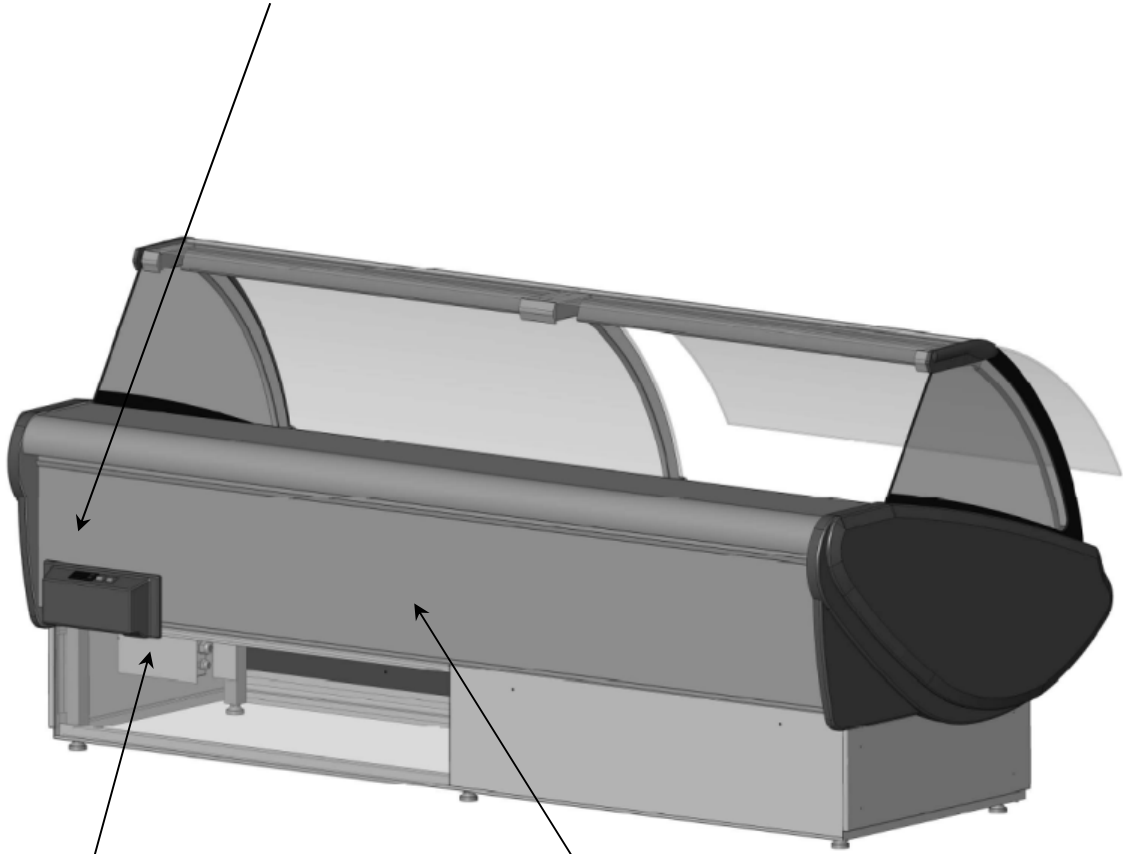
Directives to which the refrigerator is in conformity with: **EEC 73/23 , EEC 98/37**

5. Description and warning labels on the cabinet

ÜRÜN TANIM ETİKETİ



Product identification tag



YÜKSEK GERİLİM ETİKETİ



High -voltage label

TAŞIMA ETİKETİ



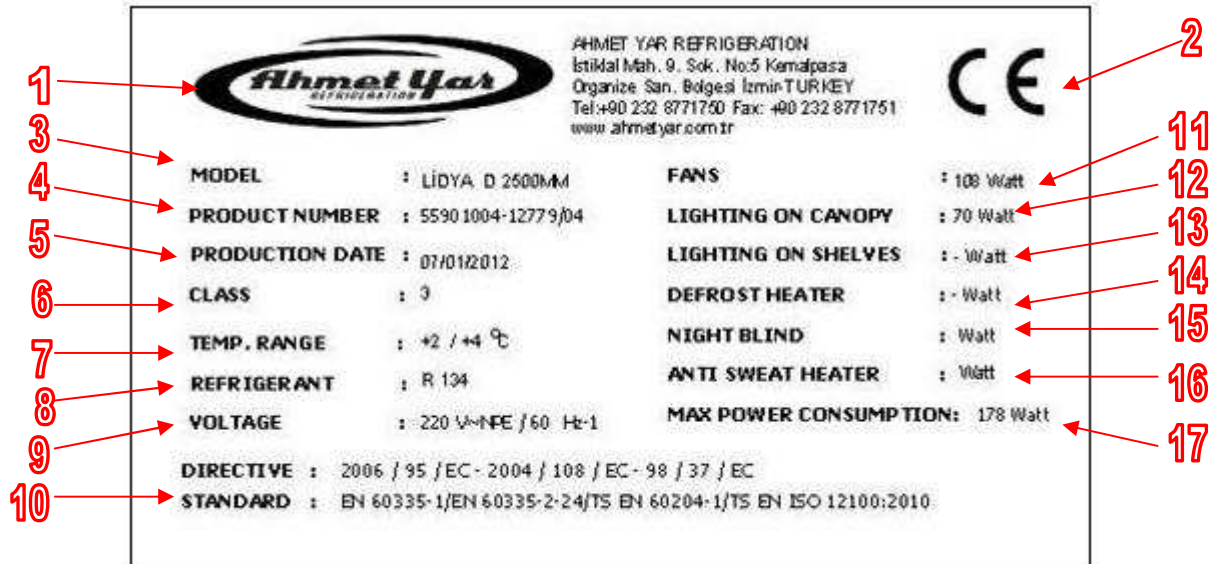
Transporting label

High voltage label

The high voltage label is located on the electrical box under the cabinet.

Product identification tag

The identification tag is located on the left side of the back of the cabinet under the bango and includes all technical specifications.



- 1 Manufacturer logo and address
- 2 Certificates of the product and quality certificates of the manufacturer
- 3 Product model
- 4 Serial number of the product
- 5 Climatic class of the product
- 6 Temperature limit of the product
- 7 Refrigerant type used in the product
- 8 Compliance Certificates of the product and the directives to which it is eligible
- 9 Operating voltage values
- 10 Evaporator and anti-condensation fan power
- 11 Lighting electric power
- 12 Under-the-shelf lighting electric power
- 13 Night curtain electric power
- 14 Electrical power of defrost resistors
- 15 Total electrical power of frame resistors
- 16 Total electrical power

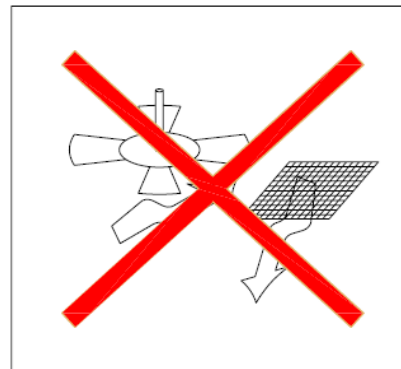
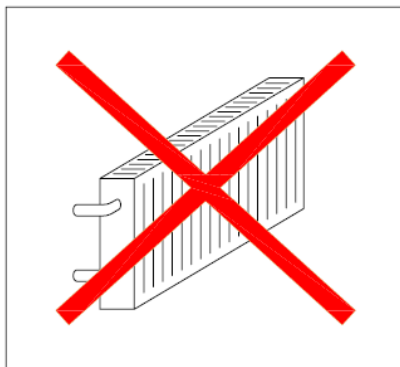
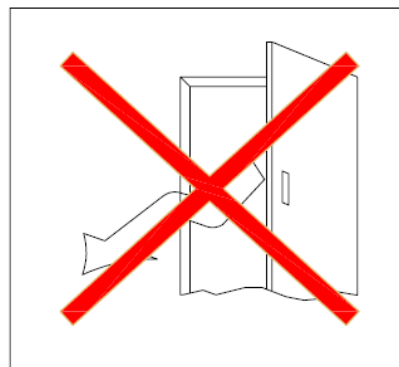
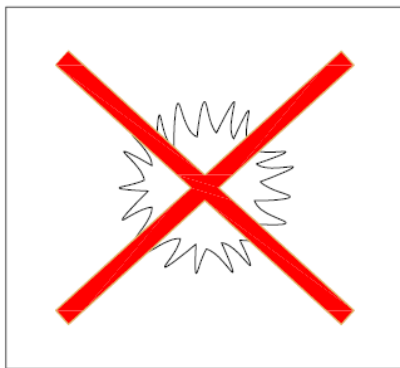
6. Installation and environmental conditions

Follow the instructions below for installation

Conditions to be considered regarding the placement of the refrigerators

-Do not leave or mount the cabinet in the following locations.

- Places where there's explosive gas.
- Near heat sources
- Where there are air currents



7. Joining Two Refrigerators

9. Installation of the sides

16. Cleaning, Maintenance and Technical Service

Attention! MAKE SURE THE REFRIGERATOR MAIN SWITCH IS OFF OR ELECTRIC PLUG IS NOT CONNECTED BEFORE ANY MAINTENANCE AND CLEANING OPERATION!

Maintenance and cleaning of your appliance is mandatory at certain time intervals. The cleaning shall be done by the user. Cleaning includes the cleaning of the internal and external surfaces of the aisles.

Turn off the cooling and lighting switch before starting the cleaning of your aisle. Take the products inside the aisles out and store them at a place where they will not deteriorate during the cleaning process. Do not remove the pans of the aisles during cleaning. Cleaning of the refrigerator should be carried out as follows.

Do not use alcohol for cleaning!

Use gloves to protect your hands during all operations!

- **First cleaning after purchase**

After receiving the refrigerator:

- Make sure the package is not damaged
- Open the package without damaging the refrigerator
- Make sure all parts are intact and in their place
- Follow the steps in the daily/weekly cleaning guide
- Call the supplier in case of any damage.
- **Cleaning of external parts (Daily/Weekly)**
 - Clean the outer parts of the refrigerator weekly using detergent and soap
 - Clean using a soft cloth and clean water.
 - Do not use materials and solvents that could damage the outer surface
 - Do not make contact with water or detergent on electrical parts of the appliance.
 - Do not use alcohol to clean the plexiglass parts
- **Cleaning of internal parts (Monthly)**

The purpose of cleaning the internal parts is to prevent the formation of micro-organisms inside the cabinet and thus to ensure better preservation of food supplies.

- Empty all food items
 - Disconnect the power or turn off the main switch
- Remove all removable parts, for example, pans, various wires, etc., clean with detergent mixed with hot water and dry carefully.
- Clean the pans carefully and prevent foreign objects falling into the fans.
 - Call the authorized service in case of abnormal operation of the refrigerator.

After the cleaning process is completed, plug in the energy after all the removed products are reintroduced.

After cleaning, put the products back in the aisles and turn on the lighting and cooling switch.

Note: Make sure fans, ceiling lights, power cables and other electrical equipment are dry.

▪ **Technical Service:**

Please read the user manual carefully. This way the phone operator can help you more easily

- Make sure that the ambient temperature and moisture are not outside the values specified. Therefore, make sure that the air conditioning and heater devices are fully operational inside the store.
- Make sure that the products are not exposed to direct sunlight.
- Isolate the windows of the store against solar rays.
- Do not point any spotlights directly on the appliance.
- Do not block the suction grilles in such a way to prevent air intake.
- Use the appliance only for storage of refrigerated products.
- Make sure the appliance cools continuously. Check it twice a day.
- Install the cabinet according to the loading lines and do not exceed the limits
- Unload food products from the refrigerator immediately when the fridge fails to operate
- Replace any fallen screws or failed lights immediately.
- Periodically check the automatic defrost.
- Make sure there is no abnormal water condensation, if so, call the cooling technician immediately.
- Always perform periodic maintenance.

Aisles can malfunction despite regular cleaning and maintenance. When you notice that the appliance is not working, follow the instructions below:

- Is the cooling switch on?
- Is everything normal in the cooling group's fuse box?
- Is the power on?

If the answer to the above questions is yes, there is a problem in the aisle, chiller or the installation. Notify the technical service immediately. Transfer the goods in the aisle to another environment as soon as possible until the technical service arrives.

IN CASE OF GAS LEAK AND COMBUSTION; Do not stay in the room if there is no air flow. Unplug the appliance. **DO NOT USE WATER TO EXTINGUISH THE FIRE. ONLY USE A FIRE EXTINGUISHER.**

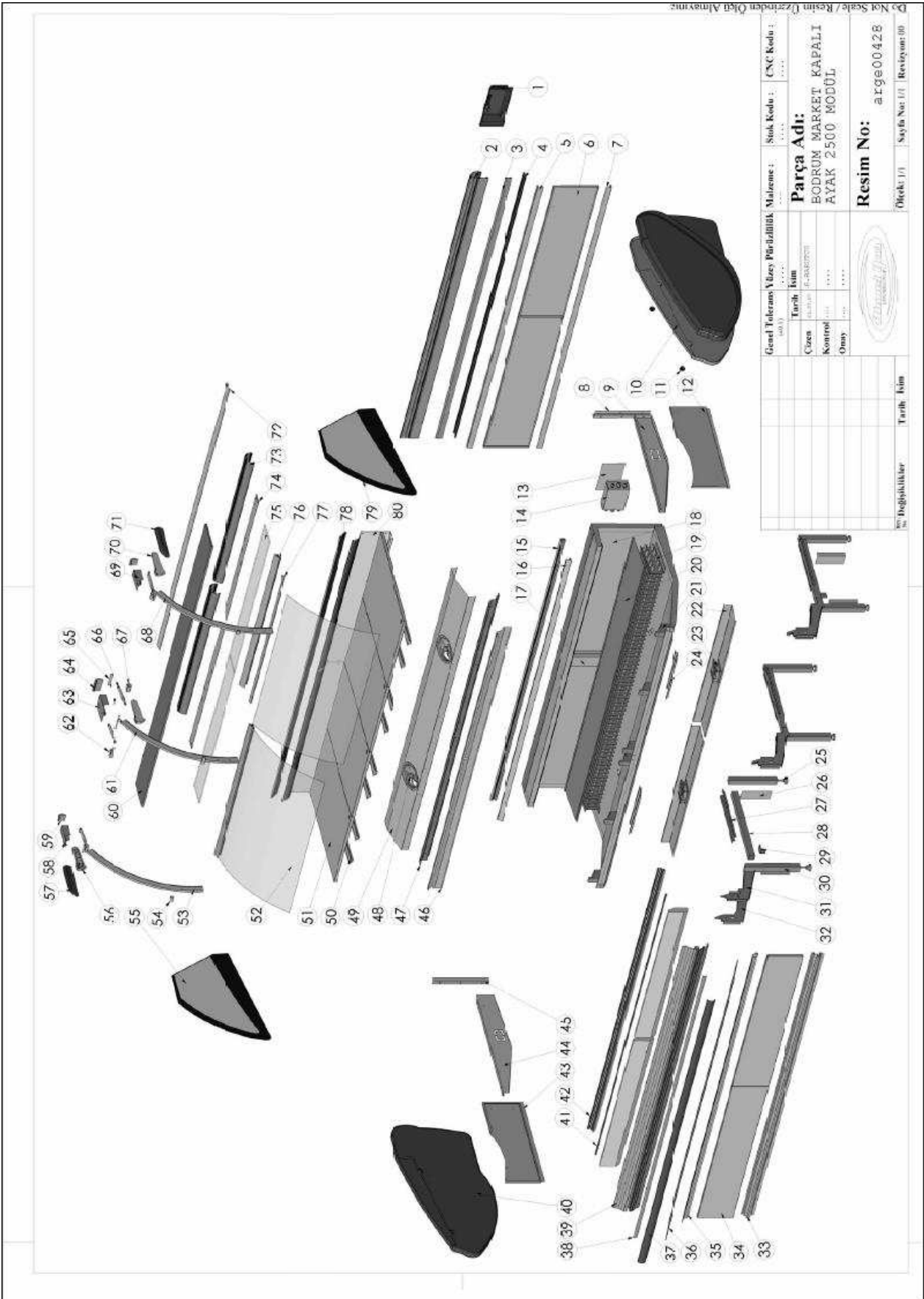
16. Recycling

Each country separates and recycles refrigerator parts according to their waste disposal and environmental laws.

Parts used in the refrigerator.

- Painted sheets : Struts, legs, front and side bases
- Copper, Aluminum :Cooling circuit,electrical system
- Galvanized sheets :Body bottom sheet and simple parts, pans
- Polyurethane foam :Thermal injection.
- Thermopane :Glass parts
- PVC :Bumper and glass top plastic
- Polystyrene :Thermoform side walls.
- Polycarbonate :Lamp protection tube

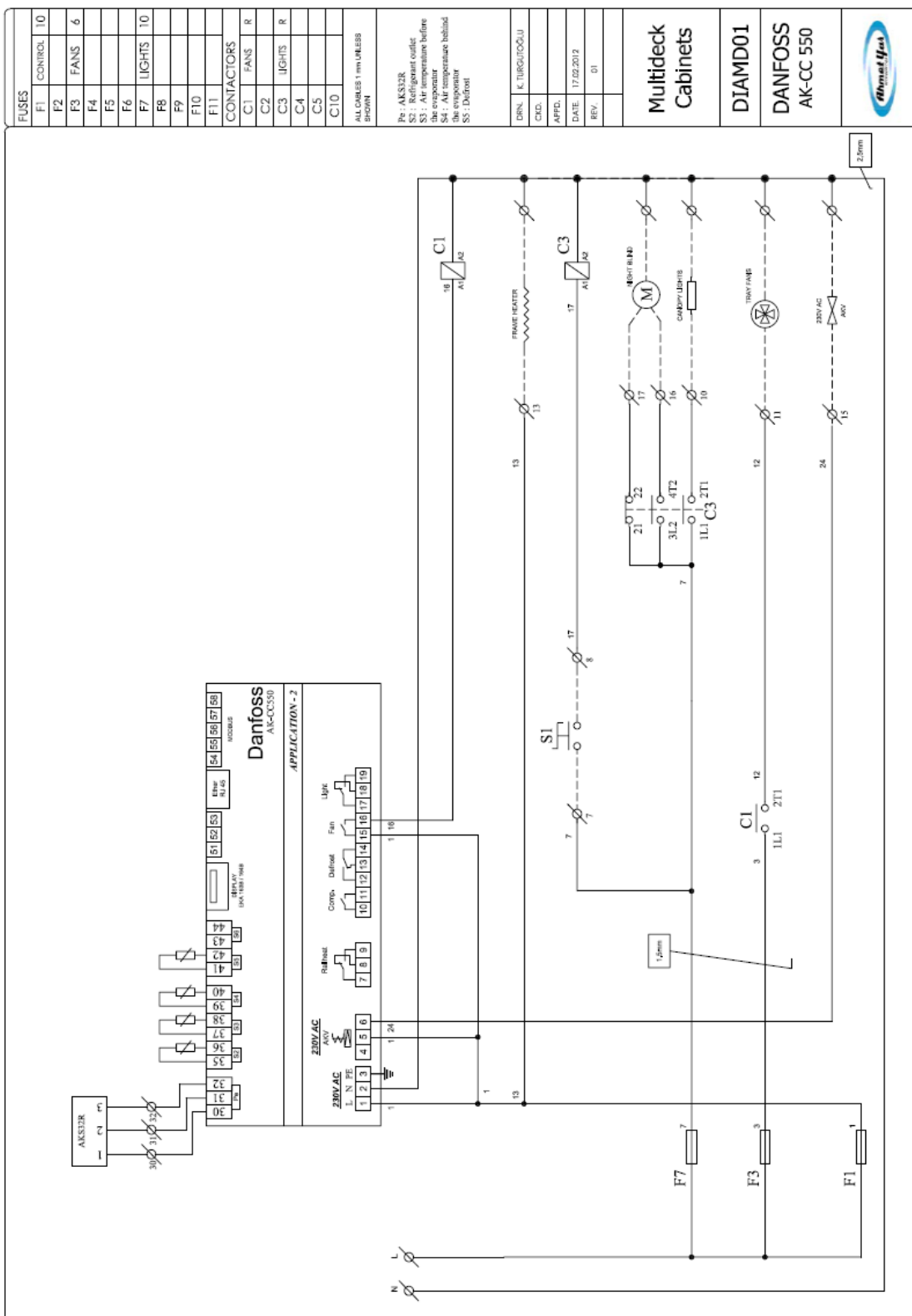
17. Spare Parts



BODRUM MARKET KAPALI AYAK 2500 MODÜL PARÇA LİSTESİ

POZ NO	TEKNİK RESİM NO	PARÇA STOK ADI	ÇNC KODU	STOK KODU	BİRİM	MİKTAR
1	ange00506	BODRUM KUMANDA KUTUSU PLASTİĞİ		45400064	adet	1
2	ange00475	BODRUM BANGÖ ARKA PRİZ ALM. 2500 mm.	KN : 5006	45404023	adet	1
3	ange00476	BODRUM BANGÖ ARKA PRİZ KIZAK ALM. 2500 mm.	KN : 5007	45404024	adet	1
4	ange00510	BANGÖ ARKA PRİZ KAPAMA PLASTİĞİ		10401025	adet	1
5	ange00448	BODRUM ARKA BAZA ÜST KIZAK SACI 2500 mm.	BD53	35404021	adet	1
6	ange00450	BODRUM ARKA BAZA SACI 1250 mm.	BD48A	35402097	adet	2
7	ange00449	BODRUM ARKA BAZA ALT KIZAK SACI 2500 mm.	BD54	35404022	adet	1
8	ange00447	BODRUM GÖVDE YAN ARKA SACI SAĞ	BD22A	35400019	adet	1
9	ange00446	BODRUM GÖVDE YAN TABAN SACI SAĞ	Bd22	35400015	adet	1
10	ange00498	BODRUM MARKET YAN PLASTİĞİ SAĞ		10420207	adet	1
11	ange00501	YAN CAM SABİTLEME PLASTİĞİ		23709932	adet	4
12	ange00502	BODRUM YAN BAZA SACI SAĞ		45400012	adet	1
13	ange00514	BODRUM MARKET PILOT KUTUSU SACI KAPAĞI		45400082	adet	1
14	ange00513	BODRUM MARKET PILOT KUTUSU SACI		35400065	adet	1
15	ange00477	BODRUM ETİKETLİK ALM. 2500mm	KN : 5008	45404025	adet	1
16	ange00494	SÜTLÜK RAF ETİKETLİĞİ 2500mm	PLASTİK	40009010	adet	1
17	ange00453	BODRUM ARKA ÜFLEME BAĞ. TRAVERSİ	BD_ON_TRVS	35400025	adet	1
18	ange00525	BODRUM MARKET ALT GÖVDE 2500 mm.		45404001	adet	1
19	ange00318	MERSİN MARKET EVAPARATOR 2500 mm.VALFLİ		49721104	adet	1
20	ange00451	BODRUM EVAP. ÜST SACI PSM 2500 mm.	BD28	35404093	adet	1
21	ange00491	ON EMİŞ OTURTMA PLASTİĞİ	PLASTİK	23709930	adet	6
22	ange00466	BODRUM ON CAM FAN SACI 1250 mm.	BD77A	35402014	adet	2
23	ange00465	FAN KARE 12*12	MONTAJ	20810101	adet	2
24	ange00463	BODRUM BALAST SACI	SB58BODRUM	35400100	adet	2
25	ange00161	CIVATA AYAK M4*100		24019909	adet	6
26	ange00515	BODRUM YAN BAZA BAĞLANTI SACI		35400090	adet	4
27	ange00444	BODRUM AYAK GÖVDE BAĞLANTI SACI	BD51A	35400034	adet	6
28	ange00442	DEMİR PROFİL 1.50 mm. 40*40	PROFİL	10200110	adet	3
29	ange00443	DEMİR KOSEBENT 4.00 mm. 40*40	PROFİL	10200403	adet	2
30	ange00442	DEMİR PROFİL 1.50 mm. 40*40	PROFİL	10200110	adet	3
31	ange00441	BODRUM AYAK BOYNUZ SABİT.SOL SACI BD3	BD25KOSE	35400003	adet	3
32	ange00439	BODRUM AYAK BOYNUZ SABİTLEME SACI BD1	BD25	35400001	adet	3
33	ange00483	BODRUM ALT DEKOR ALT KIZAK ALM. 2500 mm.	KN : 4921	45404119	adet	1
34	ange00469	BODRUM ON DEKOR BAZA SACI 1250 mm.	BD48A	35402096	adet	2
35	ange00482	BODRUM ALT DEKOR ÜST KIZAK ALM. 2500 mm.	KN : 5022	45404118	adet	1
36	ange00473	BODRUM GÖVDE ALT KAPAMA SACI 2500mm.	Bd08	45404007	adet	1
37	ange00452	MARKET SEFFAF ON TAMPON 2500 mm.	plastik	40008504	adet	1
38	ange00481	BODRUM ON DEKOR KAPAK ALM. 2500 mm.	KN : 4842	45404116	adet	1
39	ange00480	BODRUM ON DEKOR ALM. 2500 mm.	KN : 2751	45404115	adet	1
40	ange00498	BODRUM MARKET YAN PLASTİĞİ SOL		10420208	adet	1
41	ange00495	ON CAM LASTİĞİ BODRUM MARKET	PLASTİK	10419908	adet	1
42	ange00490	BODRUM CAM ALT TUTGAC YUVASI ALUM.2500mm DELİKLİ	ALUMİNYUM	45404117	adet	1
43	ange00502	BODRUM YAN BAZA SACI SOL		45400013	adet	1
44	ange00446	BODRUM GÖVDE YAN TABAN SACI SOL	Bd22	35400016	adet	1
45	ange00447	BODRUM GÖVDE YAN ARKA SACI SOL	BD22A	35400020	adet	1
46	ange00458	BODRUM ON EMİŞ ALT SACI 2500 mm.	BD11A	35404015	adet	1
47	ange00456	BODRUM MARKET ON HAVA EMİŞ SACI -SAĞ	BD11SAĞ	35402078	adet	2
48	ange00180	FAN MOTORU+KANAT		40015006	adet	2
49	ange00478	BODRUM FAN DAVLUMBAZ SACI 2500mm.	BD27	35404084	adet	1
50	ange00511	TAVA TRAVERS 885MM		40012004	adet	8
51	ange00470	BODRUM MARKET TAVA (86*62.5)	BD15	35402068	adet	4
52	ange00496	MARKET DOLABI CAMI SEKURİT (124,5*71)	CAM	23610105	adet	2
53	ange00492	BODRUM MARKET SOL BOYNUZ MONTAJ	MONTAJ	45400045	adet	1
54	ange00133	İC CAM ORTA PLASTİK TUTAMAĞI	HD 304	YENİ KOD	adet	3
55	ange00497	BODRUM MARKET TEKLİ YAN CAM 8 mm (84*50) SOL	CAM	YENİ KOD	adet	1
56	ange00522	ALUMİNYUM KAFA SAĞ DELİK BODRUM		23500201	adet	1
57	ange00509	MARKET BOYNUZ KAPAĞI SOL		23709920	adet	1
58	ange00503	BODRUM BOYNUZ ÜST KAPAK SACI SOL		35400045	adet	1
59	ange00517	MARKET KUTU KAPAK 0,5 adet	KN:3883	10330004	adet	2
60	ange00457	BODRUM ARKA BANGÖ SACI 2500 mm.	BD50	35404012	adet	1
61	ange00493	BODRUM MARKET ORTA BOYNUZ MONTAJ	MONTAJ	45400046	adet	1

MONTAJ BEŞİM NO: \\ANGE06.VA.BGE\ange nesim an\stn\ange00428-Bodrum market kapalı ayak 2500 MODÜL genel mo



CAREL PARAMETERS		ISLAND FREEZER	WALL FREEZER	COMBI FREEZER	UPRIGHT FREEZER	COUNTER	MULTIDECK CABINET
/Pro (Prob parameters)							
/2	Measurement stability		4	4	4	4	4
/4	Virtual Prob: Blowing and suction probes rates for regulation		100	100	100	50	50
	0= Blow probe						
	100= Suction probe						
/5	°C or °F selection		0	0	0	0	0
	0=°C, 1=°F						
/6	Decimal		1	1	1	1	1
	0=active,						
	1= inactive						
rHS	Virtual probe regulation rate to calculate glass temperature		20	20	20	20	20
	0= Blow probe						
	100= Suction probe						
/t	Are signals and alarms viewed in non-button terminal?		0	0	0	0	0
	0= inactive						
	1= active						
/t1	probe to be viewed in button terminal		12	12	12	12	12
	0 = Terminal inactive	8 =Serial probe 8					
	1 = Probe 1	9 =Serial probe 9					
	2 = Probe 2	10 =Serial probe 10					
	3 = Probe 3	11 =Serial probe 11					
	4 = Probe 4	12 = Control probe					
	5 = Probe 5	13 = Virtual probe					
	6 = Probe 6	14 = Set point					
	7 = Probe 7						
/t2	probe to be viewed in non-button terminal		12	12	12	12	12
	0 = Terminal inactive	8 =Serial probe 8					
	1 = Probe 1	9 =Serial probe 9					
	2 = Probe 2	10 =Serial probe 10					
	3 = Probe 3	11 =Serial probe 11					
	4 = Probe 4	12 = Control probe					
	5 = Probe 5	13 = Virtual probe					
	6 = Probe 6	14 = Set point					
	7 = Probe 7						

CAREL PARAMETERS			ISLAND FREEZER	WALL FREEZER	COMBI FREEZER	UPRIGHT FREEZER	COUNTER	MULTIDECK CABINET
/to	button/non-button terminal configuration		3	3	3	3	3	3
	Button terminal	Non-button terminal						
	0 Yes	yes						
	1 optional	yes						
	2 Yes	optional						
3 optional	optional							
/P1	S1 ,S2 , S3 (Group 1) probe type		0	0	0	0	0	0
	0 = NTC Standard Range -50T90°C							
	1 = PTC Standard Range -50T150°C							
	2 = PT1000 Standard Range -50T150°C							
	3 = NTCL243 Standard Range -50T90°C							
/P2	S4 ,S5 (Group2) probe type		0	0	0	0	0	0
	0 = NTC Standard Range -50T90°C							
	1 = PTC Standard Range -50T150°C							
	2 = PT1000 Standard Range -50T150°C							
	3 = NTCL243 Standard Range -50T90°C							
/P3	S6 (Group3) probe type		4	4	4	4	4	4
	0 = NTC Standard Range -50T90°C							
	1 = PTC Standard Range -50T150°C							
	2 = PT1000 Standard Range -50T150°C							
	3 = NTCL243 Standard Range -50T90°C							
4 = 0 to 5V ratiometric pressure transmitter								
/P4	S7, (Group4) probe type		0	0	0	0	0	0
	0 = NTC Standard Range -50T90°C							
	1 = PTC Standard Range -50T150°C							
	2 = PT1000 Standard Range -50T150°C							
	3 = NTCL243 Standard Range -50T90°C							
	4 = 0 to 5V ratiometric pressure transmitter							
	5 = 0 to 10 V input							
6 = 4 to 20 mA input								
/P5	S8 den S11 e (Group5) serial problar probe type		0	0	0	0	0	0

CAREL PARAMETERS		ISLAND FREEZER	WALL FREEZER	COMBI FREEZER	UPRIGHT FREEZER	COUNTER	MULTIDECK CABINET
CtL (Control)							
OFF	ON/OFF control unit on-off 0 = ON; 1 = OFF;	0	0	0	0	0	0
St	Set point	-20	-20	-20	-20	0	2
St2	Double thermostate control suction set value	50	50	50	50	50	50
rd	St set value difference	2	2	2	2	2	2
rd2	Double thermostate control suction set value difference 0.0 = Function inactive	0	0	0	0	0	0
r1	Allowed minimum set value	-24	-24	-24	-24	-4	-4
r2	Allowed maximum set value	-18	-18	-18	-18	4	4
r3	Defrost warning activation ending in time 0 = inactive, 1 = active	0	0	0	0	0	0
r4	Automatic night set point	0	0	0	0	0	0
r5	Will minimum and maximum temperatures be kept to which probe in the memory?		1	1	1	1	1
	0 = Monitoring inactive	6 = superheat temperature probe (tGS)					
	1 = Control probe (Sreg)	7 = saturated evaporation temperature probe (tEu)					
	2 = virtual probe (Sv)	8 = auxiliary defrost probe (Sd2)					
	3 = Blow probe (Sm)	9 = auxiliary probe (Saux)					
	4 = defrost probe (Sd)	10 = auxiliary probe 2 (Saux2)					
rt	Recorded min and max temperature monitoring time range	-	-	-	-	-	-
rH	Recorded max temperature	-	-	-	-	-	-
rL	Recorded min temperature	-	-	-	-	-	-
r6	Night Control probe 0 = virtual probe Sv; 1 = Suction probe Sr	0	0	0	0	0	0
ro	For Virtual Probe, probe error offset	0.0	0.0	0.0	0.0	0.0	0.0
r7	Master solenoid valve configuration 0 = local valve ;1 = network valve (connected to the Master)	0	0	0	0	0	0
rSu		0	0	0	0	0	0

CAREL PARAMETERS			ISLAND FREEZER	WALL FREEZER	COMBI FREEZER	UPRIGHT FREEZER	COUNTER	MULTIDECK CABINET
CMP (compressor)								
c0	Compressor and fan starting time delay		0	0	0	0	0	0
c1	Minimum time between successive start		0	0	0	0	0	0
c2	Compressor minimum OFF Time		0	0	0	0	0	0
c3	Compressor minimum ON Time		0	0	0	0	0	0
c4	Control probe error duty time. Compressor and solenoid outlet works for the time stated there		0	0	0	0	0	0
	holds for 15 minutes and works again.							
	0 = Compressor/valve always OFF; 100 = compressor/valve always ON							
cc	Continuous cycle time		1	1	1	1	1	1
c6	Post-continuous cycle alarm by-pass		60	60	60	60	60	60
c7	Maximum pump down time		0	0	0	0	0	0
Def (defrost)								
d0	Defrost type		4	0	0	0	0	0
	0 =temperature-based heater							
	1 = temperature-based hot gas							
	2 = temperature-based heater							
	3 = time-based hot gas							
4 =time and temperature-based heater defrost								
5 =temperature-based heater multiplied hotgas bypass								
6 =time-based heater multiplied hotgas bypass								
d2	Defrost-end synchronization by Master		1	1	1	1	1	1
	0 = unsynchronous; 1 = synchronous							
dl	Time between defrosts		8	8	6	6	6	6
dt1	Defrost-end temperature, Evaporator Sd1		10	10	12	12	10	10
dt2	Defrost-end temperature,AUX Evaporator Sd2		10	10	12	12	10	10
dP1	Maximum Defrost time		35	35	40	45	45	45
dP2	Maximum Defrost time, AUX 2. Evaporator		35	35	40	45	45	45
d4	Initially defrost		0	0	0	0	0	0
	0 = No initial defrost ; 1 = inital defrost							
	(Master = network defrost; Slave = local defrost)							
d5	Defrost time delay at the beginning if d4=1		0	0	0	0	0	0
	0 = delay inactive							
d6	Terminal indicator status during defrost		2	2	2	2	2	2
	0 = Real temperature value and "dEF" flashes							
	1 = pre-defrost last temperature remains on the screen							
	2 = 'dEF' is viewed							
dd	Post-Defrost drip time		2	2	2	2	2	2
	0= No drip							

CAREL PARAMETERS		ISLAND FREEZER	WALL FREEZER	COMBI FREEZER	UPRIGHT FREEZER	COUNTER	MULTIDECK CABINET	
d7	defrost by-pass	0	0	0	0	0	0	
	0 = inactive ; 1 = active;							
d8	Alarm delay following defrost and door opening	30	30	30	30	30	30	
d9	Status of compressor protection times in hotgas bypass	1	1	1	1	1	1	
	0 = protection times are followed ; 1 = protection times are ignored							
Sd1	Defrost Probe value	-	-	-	-	-	-	
Sd2	Second Evaporator defrost probe value	-	-	-	-	-	-	
dC	Defrost time basis	0	0	0	0	0	0	
	0 = dl hour,dP1,dP2 and ddP minute; 1 = dl minute,Dp2 and ddP second							
d10	Time for defrost based on lamel temperature	0	0	0	0	0	0	
	0 = Function inactive							
d11	Temperature-based defrost activation temperature threshold	-30	-30	-30	-30	-30	-30	
d12	During Defrost, pressure transmitter alarm status	0	0	0	0	0	0	
	probe failure							failure in supervisor
	0 inactive							active
	1 active							active
	2 inactive							inactive
3 active	inactive							
dS1	Compressor stop time for successive defrost (when stops for this time, defrost ends,	0	0	0	0	0	0	
	0 = Function inactive							
dS2	Compressor operation time for successive defrost (defrost starts when the	120	120	120	120	120	120	
ddt	Defrost end temperature offset for Power defrost	0.0	0.0	0.0	0.0	0.0	0.0	
ddp	Defrost time offset for Power defrost	0	0	0	0	0	0	
dn	Nominal Defrost bypass time rate	75	75	75	75	75	75	
d1S	daily defrost based on td1 time zone	0	0	0	0	0	0	
	0 = inactive							8 = 3 hours 0 minute
	1 = 24 hours 0 minute							9 = 2 hours 40 minutes
	2 = 12 hours 0 minute							10 = 2 hours 24 minutes
	3 = 8 hours 0 minute							11 = 2 hours 11 minutes
	4 = 6 hours 0 minute							12 = 2 hours 0 minute
	5 = 4 hours 48 minutes							13 = 1 hour 0 minute
	6 = 4 hours 0 minute							14 = 30 minutes
7 = 3 hours 26 minutes								

CAREL PARAMETERS		ISLAND FREEZER	WALL FREEZER	COMBI FREEZER	UPRIGHT FREEZER	COUNTER	MULTIDECK CABINET
d2S	see d1S parameter for td1 time zone daily defrosts	0	0	0	0	0	0
dH1	Pumpdown time	0	0	0	0	0	0
	0= pump down inactive						
dHG	Multiplied hot gas bypass type	0	0	0	0	0	0
	0 = Compensator valve is OFF usually						
	1 = Compensator valve is ON usually						
ALM (Alarm)							
AA	Determination of temperature probe for AH and AL alarms		1	1	1	1	1
	1 = control (sreg)	8 = auxiliary defrost probe (Sd2)					
	2 = virtual (Sv)	9 = auxiliary probe (Saux)					
	3 = blow (Sm)	10 = auxiliary probe 2 (Saux2)					
	4 = defrost (Sd)	11 = ortam sıcaklığı (SA)					
	5 = suction (Sr)	12 = ortam nemi (SU)					
	6 = superheat temperature probe(tGS)	13 = cam sıcaklığı (Syt)					
	7 =SH pressure transmitter temperature equivalence (tEu)	14 = çığırma noktası (SdP)					
AA2	Determination of temperature probe for AH2 and AL2 alarms control AA parameter		5	5	5	5	5
A0	Low and high temperature alarm difference		2.0	2.0	2.0	2.0	2.0
A1	Threshold type for AL and AH 1. Alarm delays		0	0	0	0	0
	0 = relative AL and AH set value 1 = absolute AL and AH absolute values						
A2	Threshold type for AL2 and AH2 2. Alarm delays		0	0	0	0	0
	0 = relative AL and AH set value 1 = absolute AL and AH finite values						
AL	Low temperature 1. alarm threshold		4	4	4	4	4
AH	High temperature 1. alarm threshold		5	5	5	5	5
AL2	Low temperature 2. alarm threshold		0	0	0	0	0
AH2	High Temperature 2. alarm threshold		0	0	0	0	0
Ad	Low and high temperature alarm alarm delay		15	15	15	15	15
A4	ID1 digital input configuration in S4 input		0	0	0	0	0
	0 = input is not active	5 = kapı switchi konfigürasyonu kompresör ve fanlar OFF					
	1 = momentary external alarm	6 = uzaktan ON/OFF					
	2 = delayed external alarm	7 = perde switchi					
	3 = defrost activation	8 = sürekli çevrim başlama / durma					
	4 = defrost starting	9 = ışık sensörü					

CAREL PARAMETERS		ISLAND FREEZER	WALL FREEZER	COMBI FREEZER	UPRIGHT FREEZER	COUNTER	MULTIDECK CABINET
A5	ID2 digital input configuration in S5 input, see the list in A4 parameter	0	0	0	0	0	0
A6	In the event of external alarm, solenoid/compressor working times. Compressor and solenoid work for this time, stop for 15 minutes and work againn.	0	0	0	0	0	0
	0 = Compressor/valve always OFF; 100 = compressor/valve always ON						
A7	Time delay for delayed external alarm	0	0	0	0	0	0
A8	Virtual digital input configuration see the list in A4 parameter	0	0	0	0	0	0
A09	Digital input selection transferred from master to slave		0	0	0	0	0
	0 = supervisor	3 = D13					
	1 = D11	4 = D14					
	2 = D12	5 = D15					
A10	ID3 digital input configuration in S6 input see the list in A4 parameter	0	0	0	0	0	0
A11	Id4 digital input configuration in S7 input, see the list in A4 parameter	0	0	0	0	0	0
A12	Digital input configuration in D15 input, see the list in A4 parameter	0	0	0	0	0	0
Ar	Is alarm signal in slaves shown in master?	1	1	1	1	1	1
	0 = no ; 1 = yes						
A13	When slaves are offline, hotgas bypass procedure	0	0	0	0	0	0
	0 = inactive 1 = active						
Fan (Evaporator fans)							
F0	Evaporator fan management	0	0	0	0	0	0
	0 = always ON						
	1 = Fan activation Sd defrost - Sv virtual (or Sd defrost - Sm blow double thermostat control) 2 =Activation Sd defrost probe						
F1	Fan activation threshold (only F0=1 and 2)	-5.0	-5.0	-5.0	-5.0	-5.0	-5.0
F2	Will fans stop when the compressor stops?	0	0	0	0	0	0
	0 =Fans work 1 = Fans stop						
F3	Status of fans during defrost	0	0	1	1	0	0
	0 = Fans work in Defrost 1 = fans stop						
Fd	Post-defrost drip fan waiting time	2	2	2	2	2	2
Frd	Fan activation difference (including variable speed fans)	2.0	2.0	2.0	2.0	2.0	2.0
F5	Evaporator fan stop threshold (difference 1C)	50.0	50.0	50.0	50.0	50.0	50.0
F6	Maximum Evaporator fan speed	100	100	100	100	100	100

CAREL PARAMETERS		ISLAND FREEZER	WALL FREEZER	COMBI FREEZER	UPRIGHT FREEZER	COUNTER	MULTIDECK CABINET
F7	Minimum Evaporator fan speed	0	0	0	0	0	0
F8	Evaporator fan peak time	0	0	0	0	0	0
	0 = Function inactive						
F9	PWM1/' fan control output selection (by phase-break)	1	1	1	1	1	1
	0 = pulse 1 = time-dependant						
F10	Time of working of evaporator fans at maximum speed	0	0	0	0	0	0
	0 = Function inactive						
Eud (Electronic valve)							
P1	Electronic valve	2	2	2	2	2	2
	0 = not used 1 = PWM valve 2 = CAREL E2V valve						
P3	Superheat Set point	10.0	10.0	10.0	10.0	10.0	10.0
P4	Proportional rate	15.0	15.0	15.0	15.0	15.0	15.0
P5	Integration rate (Integral factor)	150	150	150	150	150	150
	0 = Function inactive						
P6	Derivative rate	5.0	5.0	5.0	5.0	5.0	5.0
	0 = Function inactive						
P7	LowSH: low superheat threshold	7.0	7.0	7.0	7.0	7.0	7.0
P8	LowSH: low superheat integral time	15.0	15.0	15.0	15.0	15.0	15.0
	0 = Function inactive						
P9	LowSH: düşük superheat alarm gecikmesi	600	600	600	600	600	600
	0 = alarm inactive						
P10	Will solenoid valve be OFF in the event of low superheat or low suction temperature?	0	0	0	0	0	0
	1 = OFF is active						
P11	LSA: low evaporation temperature alarm	-45.0	-45.0	-45.0	-45.0	-45.0	-45.0
P12	LSA: alarm delay	600	600	600	600	600	600
	0 = alarm inactive						
P13	LSA: alarm difference (C)	10.0	10.0	10.0	10.0	10.0	10.0
	0 = reset the alarm all the time automatically						
P14	('blo') alarm signal activation	1	1	1	1	1	1
	1= blo alarm is active						
P15	Complementary temperature acceptance value in the event of Superheat pressure	-30	-30	-30	-12	-12	-12

CAREL PARAMETERS			ISLAND FREEZER	WALL FREEZER	COMBI FREEZER	UPRIGHT FREEZER	COUNTER	MULTIDECK CABINET
PH	Gas type		3	3	3	3	3	3
	1 = R22	8 = R600						
	2 = R134a	9 = R600a						
	3 = R404A	10 = R717						
	4 = R407C	11 = R744						
	5 = R410A	12 = R728						
	6 = R507A	13 = R1270						
	7 = R290	14 = R417A						
OSH	Superheat offset for modulation thermostate		0.0	0.0	0.0	0.0	0.0	0.0
	0 = Function inactive							
Phr	Fast updating of valve parameters by the supervisor		0	0	0	0	0	0
	0 = fast update is inactive							
PM1	MOP: Maximum evaporation pressure temperature value		50.0	50.0	50.0	50.0	50.0	50.0
PM2	MOP: Integral time		10.0	10.0	10.0	10.0	10.0	10.0
PM3	MOP: alarm delay		0	0	0	0	0	0
	0 = Function is inactive							
PM4	MOP: MOP function delay at the beginning		2	2	2	2	2	2
PM5	MOP: activating solenoid valve shutting		0	0	0	0	0	0
	0 = OFF is inactive							
	1 = OFF is active							
PL1	LOP: Minimum evaporation pressure temperature value		-50.0	-50.0	-50.0	-50.0	-50.0	-50.0
PL2	LOP: Integral time		0.0	0.0	0.0	0.0	0.0	0.0
PL3	LOP: alarm delay		0	0	0	0	0	0
	0 = Function is inactive							
SH	Superheat value		-	-	-	-	-	-
PPU	valve ON rate		-	-	-	-	-	-
tGS	Superheat temperature sensor reading value		-	-	-	-	-	-
tEu	Superheat pressure sensor temperature value (value of the pressure equivalent to the temperature)		-	-	-	-	-	-
/cE	Saturated evaporation temperature calibration		0.0	0.0	0.0	0.0	0.0	0.0
Po6	PWM expansion valve T on/OFF period		6	6	6	6	6	6
cP1	Valve position when the control is ON		30	30	30	30	30	30
Pdd	Post-Defrost valve position		10	10	10	10	10	10
PSb	valve standby position		0	0	0	0	0	0
PF	valve opening stages		-	-	-	-	-	-

CAREL PARAMETERS		ISLAND FREEZER	WALL FREEZER	COMBI FREEZER	UPRIGHT FREEZER	COUNTER	MULTIDECK CABINET	
PMP	Electronic expansion valve manual operation activation	0	0	0	0	0	0	
	0 = inactive 1 = active							
PMu	Manual valve position	-	-	-	-	-	-	
Phc	Large capacity valve activation	0	0	0	0	0	0	
Cnf (Configuration)								
In	MPXPRO Unit type	1	1	1	1	1	1	
	0 = Slave 1 = Master							
Sn	Number of slave in local network	0	0	0	0	0	0	
	0 = No Slave							
H0	Supervisor and Master-Slave network address	199	199	199	199	199	199	
H1	AUX1 output configuration	8	8	8	8	8	8	
	0 = no function							7 = second Evaporator defrost output
	1 = alarm without energy normally							8 = Evaporator Fan output
	2 = energy alarm normally							9 = Glass heater output
	3 = auxiliary output							10 = Suction valve
	4 = auxiliary output shared by Master with slaves							11 = Compensation valve
	5 = Light output							12 = Solenoid valve
6 = auxiliary output shared by Master with slaves								
H2	Button set and remote control deactivation	1	1	1	1	1	1	
	1 = Button set and remote control is active							
H3	Remote control activation code	0	0	0	0	0	0	
	0 =no remote control activation code							
H4	Buzzer activation	0	0	0	0	0	0	
	0 = active; 1 = inactive							
H5	Please see AUX2 output configuration H1 parameter	7	2	2	2	2	2	
H6	Terminal button set locking configuration	0	0	0	0	0	0	
H7	Please see AUX3 output configuration H1 parameter	5	5	5	5	5	5	
H8	Output association with time bands	0	0	0	0	0	0	
	0 = Light 1 = AUX							

CAREL PARAMETERS		ISLAND FREEZER	WALL FREEZER	COMBI FREEZER	UPRIGHT FREEZER	COUNTER	MULTIDECK CABINET
H9	Output association with AUX button	0	0	0	0	0	0
	0 = Light 1 = AUX						
H10	Compressor output configuration	0	0	0	0	0	0
	0 = Cooling 1 = heating						
H11	Fan output configuration	0	0	0	0	0	0
	0 = Cooling 1 = Heating						
H12	Light sensor threshold	25	25	25	25	25	25
H13	Please see AUX4 output configuration H1 parameter	12	12	12	12	12	12
Hdn	default set parameters number	0	0	0	0	0	0
Htc	External time card insertion	0	0	0	0	0	0
	0 = not inserted						
rHu	Manual glass heater activation rate (rHt period)	70	70	70	70	70	70
	0 = Function is inactive						
rHt	Manual glass heater activation period	5	5	5	5	5	5
	0 = Function is inactive						
rHo	Glass heater modulation offset	2.0	2.0	2.0	2.0	2.0	2.0
rHd	Glass heater modulation difference	0.0	0.0	0.0	0.0	0.0	0.0
rHL	PWM output load type for glass heater modulation	0	0	0	0	0	0
	0 = resistant 1 = inductive						
rHA	Factor A for calculated glass temperature	2	2	2	2	2	2
rHb	Factor B for calculated glass temperature	22	22	22	22	22	22
HSt (Alarm log)							
H9	0 dan 9'a alarmlar (sete basın)	-	-	-	-	-	-
---	0 dan 9'a alarm kodu	-	-	-	-	-	-
h_	0 dan 9'a alarm houri	0	0	0	0	0	0
n_	0 dan 9'a alarm minutesi	0	0	0	0	0	0
---	0 dan 9'a alarm süresi	0	0	0	0	0	0
HcP (HACCP alarms)							
Ht0	HACCP alarm	0	0	0	0	0	0
HAn	HA alarm type number	0	0	0	0	0	0

CAREL PARAMETERS		ISLAND FREEZER	WALL FREEZER	COMBI FREEZER	UPRIGHT FREEZER	COUNTER	MULTIDECK CABINET
HA to HA2	HA type active HACCP alarm number	-	-	-	-	-	-
y_	From 1 to 3 alarm-Year	0	0	0	0	0	0
M_	From 1 to 3 alarm - month	0	0	0	0	0	0
d_	From 1 to 3 alarm - which day of the month	0	0	0	0	0	0
h_	From 1 to 3 alarm - hour	0	0	0	0	0	0
n_	From 1 to 3 alarm - minute	0	0	0	0	0	0
...	From 1 to 3 alarm - Alarm time	0	0	0	0	0	0
HFn	HF alarm type number	0	0	0	0	0	0
HF to HF2	HF type active HACCP alarm number	-	-	-	-	-	-
y_	From 1 to 3 alarm - Year	0	0	0	0	0	0
M_	From 1 to 3 alarm -month	0	0	0	0	0	0
d_	From 1 to 3 alarm - which day of the month	0	0	0	0	0	0
h_	From 1 to 3 alarm - hour	0	0	0	0	0	0
n_	From 1 to 3 alarm - minute	0	0	0	0	0	0
_	From 1 to 3 alarm - Alarm time	0	0	0	0	0	0
Htd	HACCP alarm delay	0	0	0	0	0	0
	0 = alarm viewing deactivated						
rtc (Real Time Clock)							
td1 to 8	Defrost time from 1 to 8 (press Set)	-	-	-	-	-	-
d_	From 1 to 8 defrost day selection	0	0	0	0	0	0
	0 = no defrost						
	1 to 7 = days one by one from Monday to Sunday						
	8 = every day from Monday to Friday						
	9 = everyday from Monday to Saturday						
	10 = only Saturday Sunday						
11 = everyday							
h_	Defrost hour	0	0	0	0	0	0
n_	Defrost minute	0	0	0	0	0	0
P_	Power defrost selection	0	0	0	0	0	0
	0 = Normal defrost; 1 =Power defrost						
tS1 to 8	Time band starting from 1 to 8 (press Set)	-	-	-	-	-	-
d	Time band starting: day	0	0	0	0	0	0
h	Time band starting: hour	0	0	0	0	0	0
n	Time band starting: minute	0	0	0	0	0	0
tE1 to 8	Time band end from 1 to 8 (press Set)	-	-	-	-	-	-

DANFOSS PARAMETERS		ISLAND FREEZER	WALL FREEZER	COMBI FREEZER	UPRIGHT FREEZER	COUNTER	MULTIDECK CABINET
Normal operation							
---	Temperature (setpoint)	-26	-20	-20	-20	0	2
Thermostat							
r01	Differential	2	2	2	2	2	2
r02	Max. limitation of setpoint setting	-22	-18	-18	-18	-4	-4
r03	Min. limitation of setpoint setting	-29	-23	-23	-23	4	4
r04	Adjustment of temperature indication	0	0	0	0	0	0
r05	Temperature unit (°C/°F)	0	0	0	0	0	0
r09	Correction of the signal from S4	0	0	0	0	0	0
r10	Correction of the signal from S3	0	0	0	0	0	0
r12	Manual service, stop regulation, start regulation (-1, 0, 1)	1	1	1	1	1	1
r13	Displacement of reference during night operation	0	0	0	0	0	0
r14	Define thermostat function	1	1	1	1	1	1
	1=ON/OFF						
	2=Modulating						
r15	Definition and weighting, if applicable, of thermostat sensors - S4% (100%=S4, 0%=S3)	100	0	0	0	50	50
r16	Time between melt periods	0	0	0	0	0	0
r17	Duration of melt periods	0	0	0	0	0	0
r21	Temperature setting for thermostat band 2 . As differential use r01	-26	-20	-20	-22	0	0
r59	Correction of the signal from S6	0	0	0	0	0	0
r61	Definition and weighting, if applicable, of thermostat sensors when night cover is on. (100%=S4, 0%=S3)	100	0	0	0	50	50
r62	Heat function	2	2	2	2	2	2
	Neutral zone between refrigeration and heat function						
r63	Time delay at switch between refrigeration and heat function	0	0	0	0	0	0
Alarms							
A03	Delay for temperature alarm	15	15	15	15	20	20
A04	Delay for door alarm	0	0	0	0	0	0
A12	Delay for temperature alarm after defrost	60	60	60	60	60	60
A13	High alarm limit for thermostat 1	-18	-15	-15	-15	4	6
A14	Low alarm limit for thermostat 1	-30	-26	-26	-26	-6	-6
A20	High alarm limit for thermostat 2	-18	-15	-15	-15	4	6
A21	Low alarm limit for thermostat 2	-30	-26	-26	-26	-6	-6
A22	High alarm limit for sensor S6 at thermostat 1	8	8	8	8	8	8
A23	Low alarm limit for sensor S6 at thermostat 1	-30	-30	-30	-30	-30	-30
A24	High alarm limit for sensor S6 at thermostat 2	8	8	8	8	8	8
A25	Low alarm limit for sensor S6 at thermostat 2	-30	-30	-30	-30	-30	-30

DANFOSS PARAMETERS		ISLAND FREEZER	WALL FREEZER	COMBI FREEZER	UPRIGHT FREEZER	COUNTER	MULTIDECK CABINET
A26	S6 alarm time delay	240	240	240	240	240	240
	With setting = 240 the S6 alarm will be omitted						
A27	Alarm time delay or signal on the DI1 input	30	30	30	30	30	30
A28	Alarm time delay or signal on the DI2 input	30	30	30	30	30	30
A36	Signal for alarm thermostat. S4% (100%=S4, 0%=S3)	100	0	0	0	50	50
A52	Delay for S6 (product sensor alarm) after defrost	90	90	90	90	90	90
Compressor							
c01	Min. ON-time	0	0	0	0	0	0
c02	Min. OFF-time	0	0	0	0	0	0
c05	Time delay for cutin of comp.2	5	5	5	5	5	5
Defrost							
d01	Defrost method	1	1	1	1	1	1
	0=off						
	1= EL						
	2= gAs						
d02	Defrost stop temperature	10	10	12	12	10	10
d03	Interval between defrost starts	8	8	6	6	6	6
d04	Max. defrost duration	35	35	35	35	45	45
d05	Displacement of time on cutin of defrost at start-up	0	0	0	0	0	0
d06	Drip off time	2	2	2	2	3	3
d07	Delay for fan start after defrost	2	2	2	2	0	0
d08	Fan start temperature	-5	-5	-5	-5	-5	-5
d09	Fan cutin during defrost	1	1	0	0	1	1
	0: Stopped						
	1: Running						
	2: Running during pump down and defrost						
d10	Defrost sensor	3	1	1	1	1	1
	0 =Stop on time						
	1=S5						
	2=S4						
	3=Sx						
(Application 1-8 and 10: both S5 and S6. Application 9: S5 and S5B)							
d16	Pump down delay	0	0	0	0	0	0
d17	Drain delay (used at hot gas defrost only)	0	0	0	0	0	0
d18	Max. aggregate refrigeration time between two defrosts	0	0	0	0	0	0
d20	Heat in drip tray. Time from defrosting stops to heating in the drip tray is switched off	30	30	30	30	30	30

DANFOSS PARAMETERS		ISLAND FREEZER	WALL FREEZER	COMBI FREEZER	UPRIGHT FREEZER	COUNTER	MULTIDECK CABINET	
t45	Clock - Setting of date	REAL TIME	REAL TIME	REAL TIME	REAL TIME	REAL TIME	REAL TIME	
t46	Clock - Setting of month	REAL TIME	REAL TIME	REAL TIME	REAL TIME	REAL TIME	REAL TIME	
t47	Clock - Setting of year	REAL TIME	REAL TIME	REAL TIME	REAL TIME	REAL TIME	REAL TIME	
Miscellaneous								
o01	Delay of output signals after start-up	5	5	5	5	5	5	
o02	Input signal on DI1. Function:	0	0	0	0	0	0	
	0=not used							7=thermostat band changeover (activate r21)
	1=status on DI1							8=alarm function when closed
	2=door function with alarm when open							9=alarm function when open
	3=door alarm when open							10=Appliance cleaning (pulse signal)
	4=defrost start (pulse-signal)							11=forced cooling at hot gas defrost
	5=ext.main switch							12=night cover
6=night operation	15=case shut down							
o03	Network address	0	0	0	0	0	0	
o04	On/Off switch (Service Pin message) IMPORTANT! o61 must be set prior to o04 (used at LON 485 and DANBUSS only)	Off	Off	Off	Off	Off	Off	
o05	Access code 1 (all settings)	0	0	0	0	0	0	
o06	Used sensor type	0	0	0	0	0	0	
	0=Pt1000							
	1=Ptc1000,							
o08	Readout of software version	**	**	**	**	**	**	
o16	Max hold time after coordinated defrost	20	20	20	20	20	20	
o17	Select signal for display view. S4% (100%=S4, 0%=S3)	100	0	0	0	50	50	
o20	Pressure transmitter working range – min. value	-1	-1	-1	-1	-1	-1	
o21	Pressure transmitter working range – max. value	12	12	12	12	12	12	

DANFOSS PARAMETERS			ISLAND FREEZER	WALL FREEZER	COMBI FREEZER	UPRIGHT FREEZER	COUNTER	MULTIDECK CABINET	
o30	Refrigerant setting:		19	19	19	19	19	19	
	1=R12	15=R227							29=R1270
	2=R22	16=R401A							30=R417A
	3=R134a	17=R507							31=R422A
	4=R502	18=R402A							32=R413A
	5=R717	19=R404A							33=R422D
	6=R13	20=R407C							34=R427A
	7=R13b1	21=R407A							35=R438A
	8=R23	22=R407							36=R513A
	9=R500	23=R410A							37=R407F
	10=R503	24=R170							38=R1234ze
	11=R11	25=R290							39=R1234yf
	12=R142b	26=R600							40=R448A
	13=User defined	27=R600a							41=R449A
14=R32	28=R744	42=R452A							
o30	Refrigerant setting:		19	19	19	19	19	19	
o37	Input signal on DI2. Function:		0	0	0	0	0	0	
	(0=not used.	5=ext. main switch							10=Appliance cleaning (pulse signal).
	1=status on DI2.	6=night operation							11=forced cooling at hot gas defrost.).
	2=door function with alarm when open.	7=thermostat band changeover (activate r21).							12=night cover,
	3=door alarm when open.	8=alarm function when closed.							13=coordinated defrost).
4=defrost start (pulse-signal).	9=alarm function when open.	15=case shut down							
o38	Configuration of light function:		1	1	1	1	1	1	
	1=Light follows day /night operation,								
	2=Light control via data communication via 'o39',								
	3=Light control with a DI-input,								
4=As "2", but light switch on and night cover will open if the network cut out for more than 15 minutes.									
o39	Activation of light relay (only if o38=2) On=light		Off	Off	Off	Off	Off	Off	
o41	Rail heat On time during day operations		100	100	100	100	100	100	
o42	Rail heat On time during night operations		100	100	100	100	100	100	
o43	Rail heat period time (On time + Off time)		10	10	10	10	10	10	
o46	Appliance cleaning.		0	0	0	0	0	0	
	0=no Appliance cleaning.								
	1=Fans only.								
	2=All output Off.								
o61	Selection of EL diagram. See overview page 12 and 13		9	1	4	4	1	1	
o62	Download a set of predetermined settings. See overview page 27.		0	0	0	0	0	0	

DANFOSS PARAMETERS			ISLAND FREEZER	WALL FREEZER	COMBI FREEZER	UPRIGHT FREEZER	COUNTER	MULTIDECK CABINET	
o64	Access code 2 (partial access)		0	0	0	0	0	0	
o67	Replace the controllers factory settings with the present settings		Off	Off	Off	Off	Off	Off	
o84	Input signal on DI3. Function: (high voltage input)		0	0	0	0	0	0	
	(0=not used.	6=night operation,							12=night cover.
	1=status on DI2.	7=thermostat band changeover (activate r21)							13=Not used.
	2=door function with alarm when open.	8=Not used.							14=Refrigeration stopped (forced closing)).
	3=door alarm when open	9=Not used.							15=case shut down
	4=defrost start (pulse-signal).	10=Appliance cleaning (pulse signal).							
	5=ext. main switch	11=forced cooling at hot gas defrost,							
o85	Rail heat control		0	0	0	0	0	0	
	0=not used,								
	1=pulse control with timer function (o41 and o42),								
	2=pulse control with dew point function								
o86	Dew point value where the rail heat is minimum		8	8	8	8	8	8	
o87	Dew point value where the rail heat is 100% on		17	17	17	17	17	17	
o88	Lowest permitted rail heat effect in %		30	30	30	30	30	30	
o89	Time delay from "open door" refrigeration is started		30	30	30	30	30	30	
o90	Fan operation at stopped cooling (forced closing): 0= Stopped (defrost allowed)		1	1	1	1	1	1	
	1= Running (defrost allowed)								
	2= Stopped (defrost not allowed)								
	3= Running (defrost not allowed)								
o92	1=defrost stop temperature,		1	1	1	1	1	1	
	2=S6 temperature,								
	3=S5_B temperature (application 9), 4=S3B (application 10)								
o97	Display of temperature		1	1	1	1	1	1	
	1= u56 Air temperature								
	2= u36 product temperature								
o98	Light and night blinds defined		0	0	0	0	0	0	
	0: Light is switch off and night blind is open when the main switch is off								
	1: Light and night blind is independent of main switch								

DANFOSS PARAMETERS		ISLAND FREEZER	WALL FREEZER	COMBI FREEZER	UPRIGHT FREEZER	COUNTER	MULTIDECK CABINET
P41	Configuration of alarm relay	1	1	1	1	1	1
	The alarm relay will be activated upon an alarm signal from the following groups:						
	1 - High temperature alarms						
	2 - Low temperature alarms						
	4 - Sensor error						
	8 - Digital input enabled for alarm 16 - Defrosting alarms						
	32 - Miscellaneous 64 - Injection alarms						
The groups that are to activate the alarm relay must be set by using a numerical value which is the sum of the groups that must be activated. (E.g.: a value of 5 will activate all high temperature alarms and all sensor error and 0 will cancel the relay function).							